

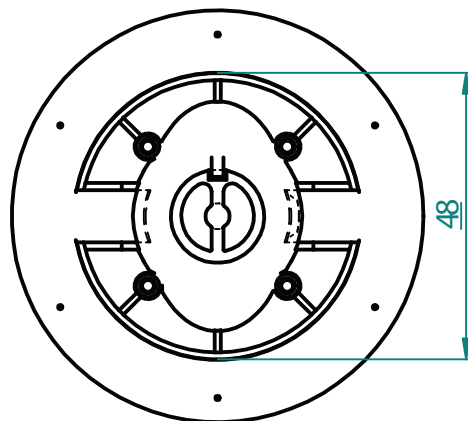
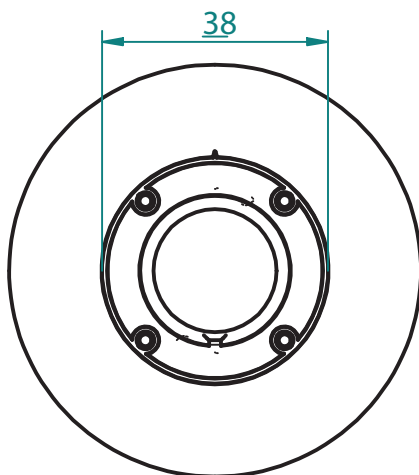
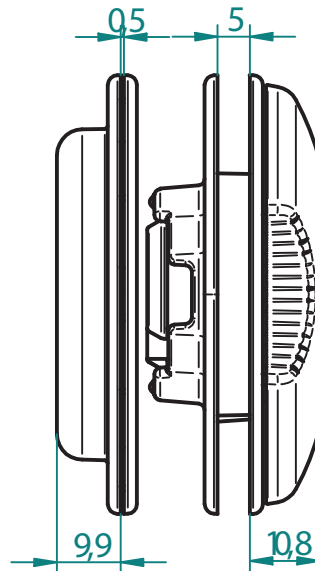
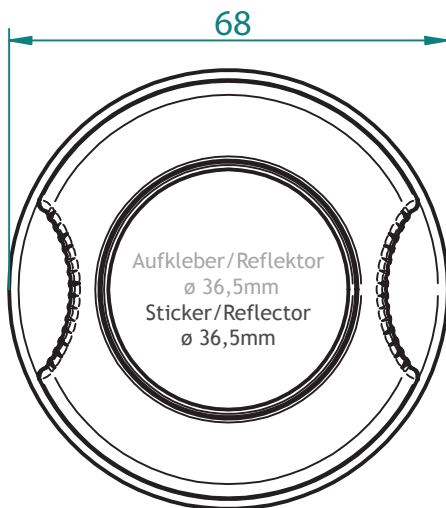
FIDLOCK

Datenblatt BIG TURN Data Sheet BIG TURN

FIDLOCK GmbH
Havelberger Str. 29
D-10559 Berlin
Germany

T +49-30-859 1605
F +49-30-859 3898

info@fidlock.com
www.fidlock.com



Montage in Deckel
Loch, Stanzdurchmesser 38mm
Assembly in top cover
Stamped hole diameter 38mm

Montage in Boden
Loch, Stanzdurchmesser 48mm
Assembly in bottom:
Stamped hole diameter 48mm

Montage Manschetten an Deckel und Boden mit 8 selbstschneidenden Kunststoffschrauben
2,5x6mm Senkkopf
Assembly of collars in top collar and bottom with 8 self-tapping screws for plastic 2,5x6mm
countersunk head

FIDLOCK übernimmt keine Haftung für jegliche Schäden verursacht durch Fehlgebrauch, Veränderung, Reparatur von Dritten. Es liegt in der Verantwortung des Kunden, die Produkte auf die Eignung für den jeweiligen Einsatzzweck zu prüfen.
FIDLOCK does not assume responsibility for defects, or injury caused by misuse, abuse, alteration, repair by others, or suitability as to applications or load bearing strength. Any comments given by FIDLOCK pursuant to a purchaser's request and relating to application or load bearing suitability are on a strictly gratuitous basis and FIDLOCK assumes no responsibility for purchaser acting in reliance upon such comments. It is the responsibility of the manufacturer to thoroughly test our products in their actual end use applications to determine their suitability.