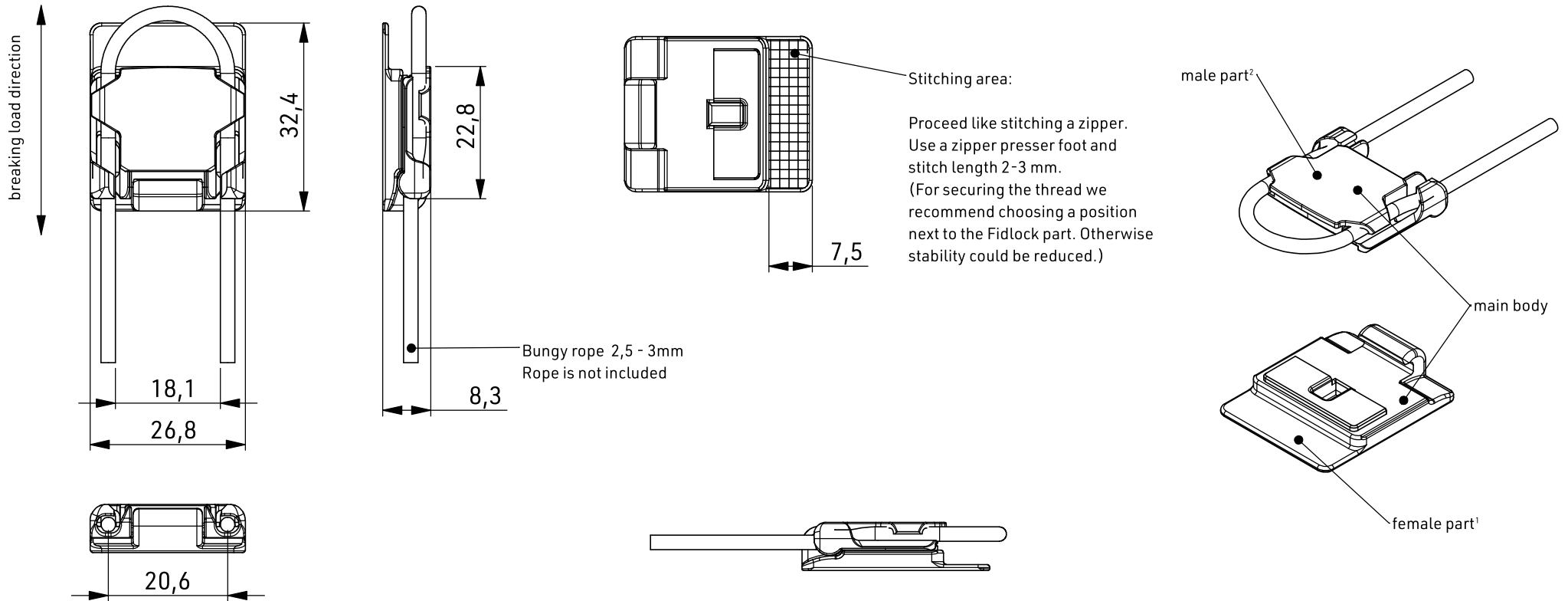


Hook 20 rope sewable RC

patented technology



Stitching area:

Proceed like stitching a zipper.
Use a zipper presser foot and
stitch length 2-3 mm.
(For securing the thread we
recommend choosing a position
next to the Fidlock part. Otherwise
stability could be reduced.)

Bungy rope 2,5 - 3mm
Rope is not included

nominal values in millimeters [mm]

OPENING	lift
MATERIAL	PA6 ¹ , PA6 GF ² , NdFeB ^{1,2} , epoxy ^{1,2}
COLOUR	black (BLK), blue (5415) main body
WEIGHT	~ 6 g (weighed)
BREAKING LOAD**	20 N **

GENERAL NOTES*

Recycled material:
Not suitable for safety-relevant applications

Coloured options:
Colour may vary, due to raw material.
Minor dark particals may appear, due to raw
material.

ARTICLE NO.	01226-000002 (BLK)R, 01226-000002 (5415)R
PRODUCT	Hook 20 rope sewable RC
SCALE	1:1 DIN A4
REVISION / DATE	R00 18.01.24

* The manufacturer of the end products in which FIDLOCK fasteners are used, bears the responsibility for thoroughly testing that the FIDLOCK products are suitable for the intended applications.

** According to test specification QM-TP-001

Subject to change without notice, errors excepted