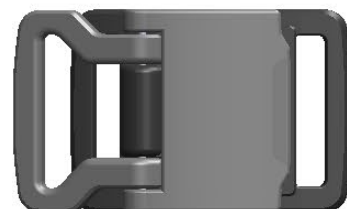
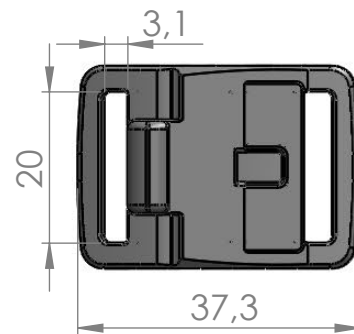


Logo area for printing  
or logo insert



Product	HOOK 20 Flat adjuster
Opening	lifting
Material	PA66GF
Colour	black
Weight	9g
Load capacity	20kg, male part with rope is jumping out, but lock is not damaged
General notes	

Article No	01228
Scale	1:1
Date	10.03.2017