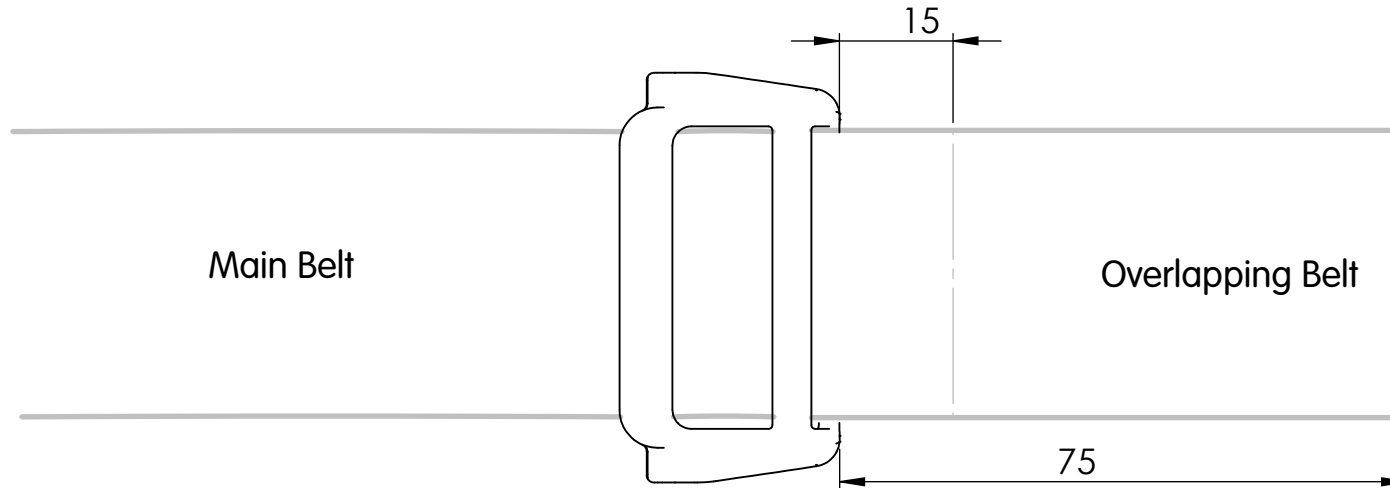


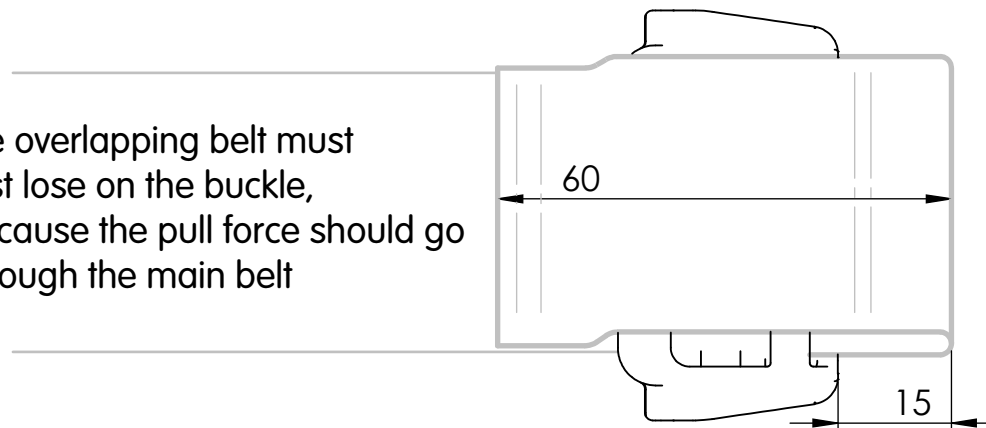
# Hook Belt 40



## Stitching instruction 1

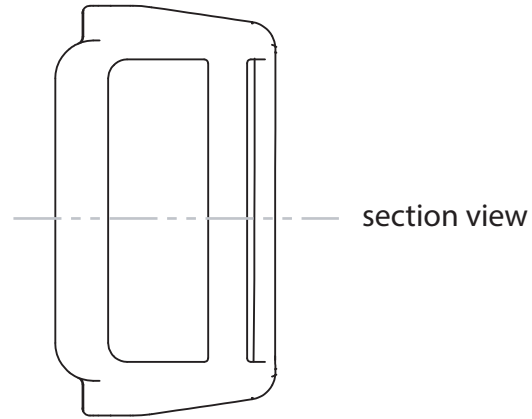


! the overlapping belt must rest loose on the buckle, because the pull force should go through the main belt

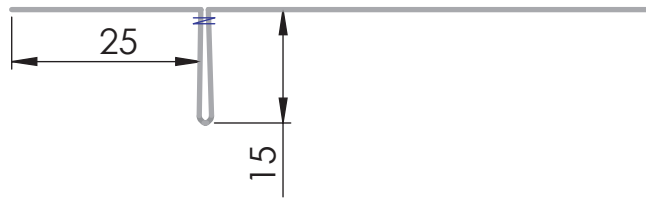


# Hook Belt 40

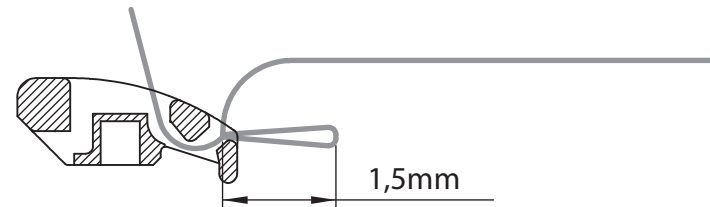
## Stitching instruction 2



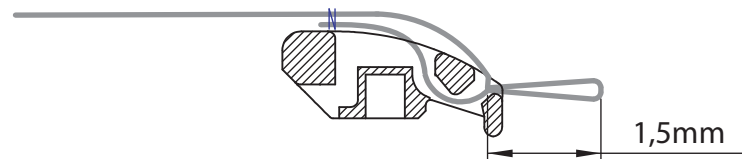
A: Stitch belt end



B: Put belt through bar



C: Stitch both ends together



D: Put both ends through front bar and pull till it is jamming

