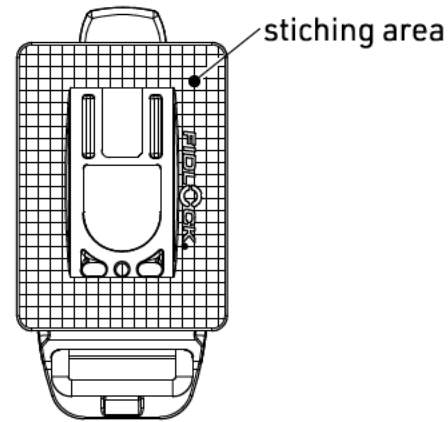
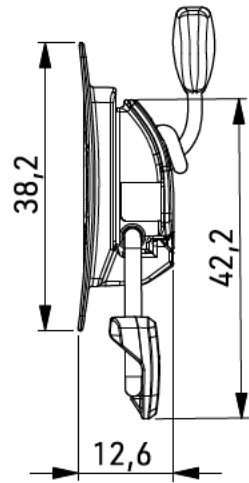
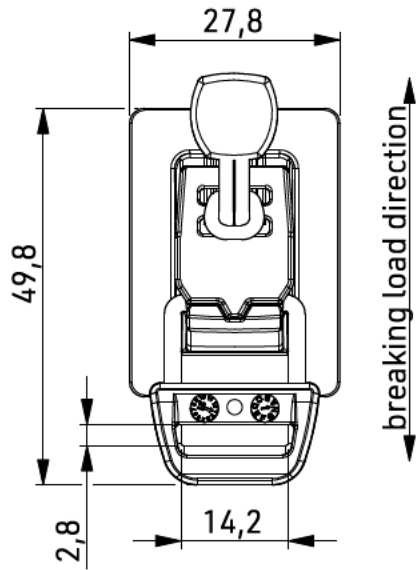
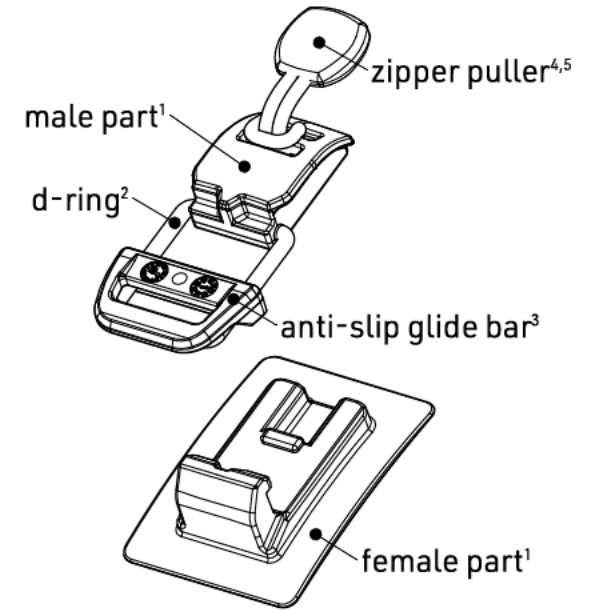


**HOOK 15 FW sewable anti-slip glide bar**

patented technology



when used as underlay  
max. recommended  
material thickness: 2,8 mm



nominal values in millimeters [mm]

|                        |   |
|------------------------|---|
| <b>OPENING</b>         | lift  |
| <b>MATERIAL***</b>     | PA6 <sup>1</sup> (35%), NdFeB (32%), stainless steel <sup>2</sup> (20%), PA66GF <sup>3</sup> (7%), TPU <sup>4</sup> (3%), epoxy (2%), nylon <sup>5</sup> (1%) |
| <b>COLOUR</b>          | black   |
| <b>WEIGHT</b>          | ~ 9,5 g (weighed)   |
| <b>BREAKING LOAD**</b> | 350 N   |

**GENERAL NOTES\***

Proceed like stitching zipper  
Use a zipper presser foot and stitch length 2-3 mm  
(For securing the thread we recommend choosing a position next to the Fidlock part.  
Otherwise stability could be reduced.)

|                        |                               |
|------------------------|-------------------------------|
| <b>ARTICLE NO.</b>     | 01266-000082 (BLK)            |
| <b>PRODUCT</b>         | HOOK 15 FW anti-slip glidebar |
| <b>SCALE</b>           | 1:1 DIN A4                    |
| <b>REVISION / DATE</b> | R00 14.04.25                  |

\* The manufacturer of the end products in which FIDLOCK fasteners are used, bears the responsibility for thoroughly testing that the FIDLOCK products are suitable for the intended applications.

\*\* According to test specification QM-TP-001

\*\*\* The nominal mass fractions percentage of the materials are given as rounded whole numbers. Fractions below 0.5% are not given.