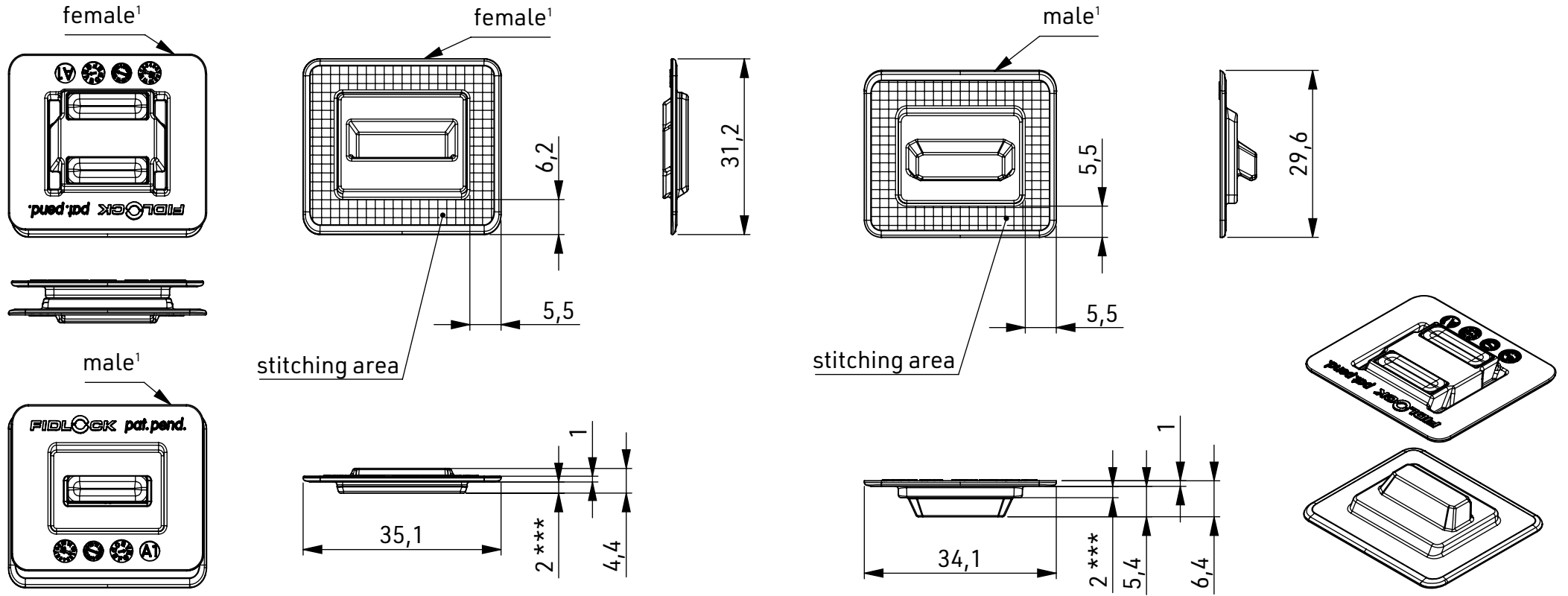


**Stripe X1 Underlay**



nominal values in millimeters [mm]

OPENING	lift
MATERIAL	<sup>1</sup> PA6, Epoxy, NdFeB
COLOUR	black
WEIGHT	~ 7 g (weighed)
BREAKING LOAD**	dependant on application

GENERAL NOTES\*

Stitching area: Proceed like stitching zipper. Use a zipper presser foot with stitch length 2-3 mm. (For securing the thread we recommend choosing a position next to the Fidlock part. Otherwise stability can be reduced)  
 \*\*\* Maximum thickness of customer material

ARTICLE NO.	01362-000001 (BLK)
PRODUCT	Stripe X1 SET Underlay
SCALE	1:1 DIN A4
REVISION / DATE	R00 24.08.23

\* The manufacturer of the end products in which FIDLOCK fasteners are used, bears the responsibility for thoroughly testing that the FIDLOCK products are suitable for the intended applications.

\*\* According to test specification QM-TP-001