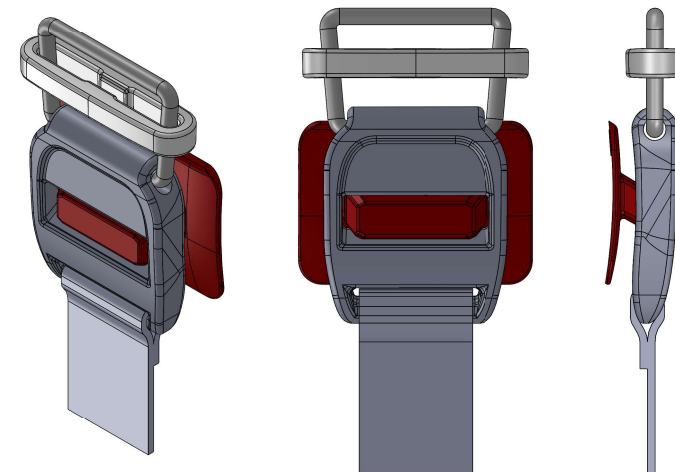
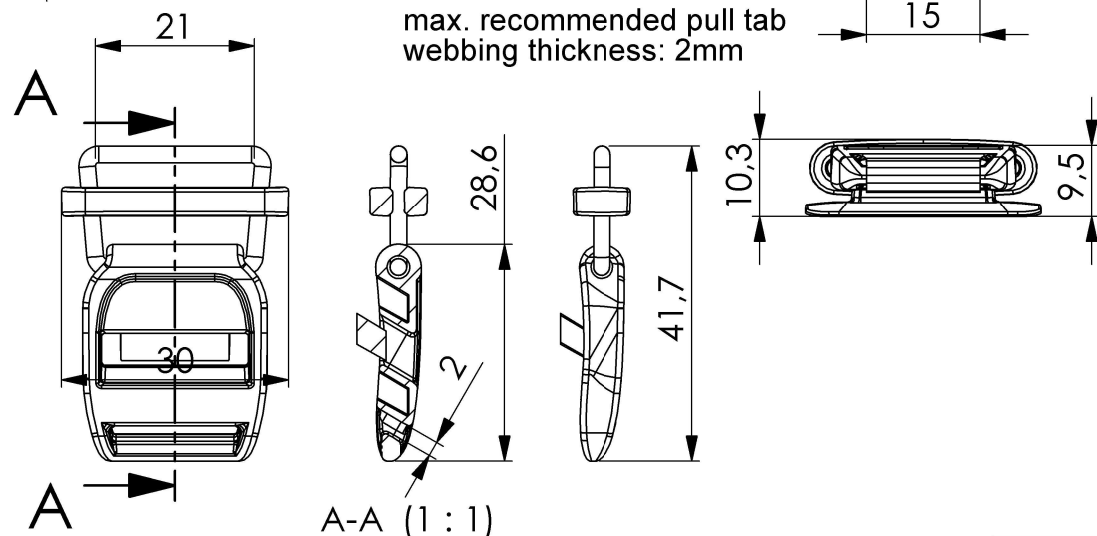
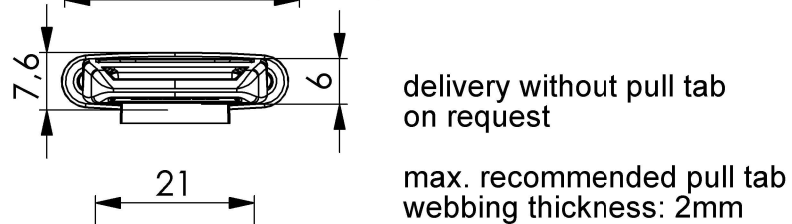


FIDLOCK®



Product	Stripe FW DR20
Opening	lift
Material	PA6, NdFeB, Epoxy, webbing
Colour	black
Weight	9,1g
Load capacity	n.a.
General notes	stitchable base



Stitching area

Proceed like stitching zipper
Use a zipper presser foot and
stitch length 2-3 mm
(For securing the thread we
recommend choosing a position
next to the Fidlock part. Otherwise
stability could be reduced.)

Article No	01371-000002(BLK)
Scale	1 : 1
Date	14.04.2021
Author	SO

patented technology.