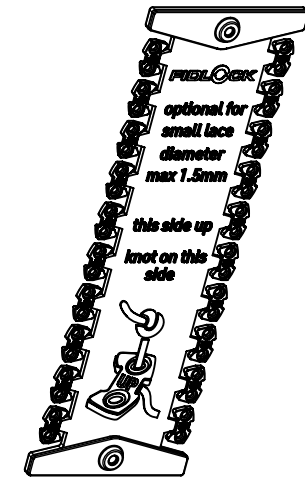
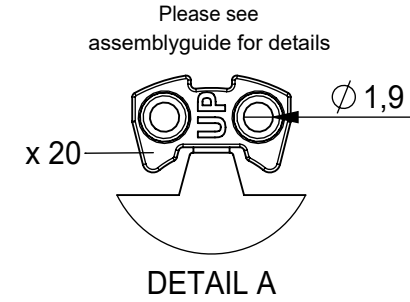
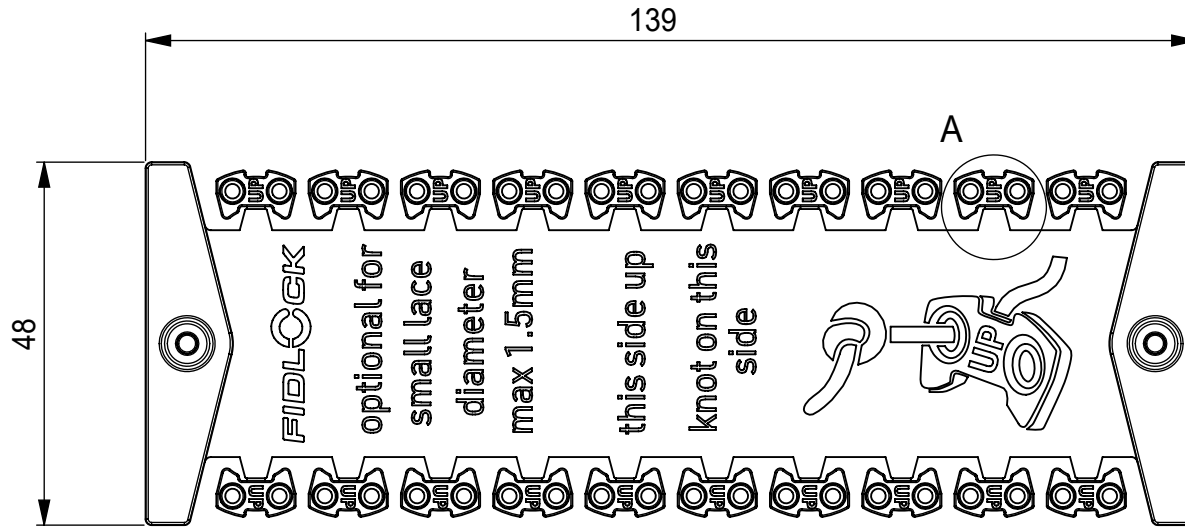


Winch Compact diameter reduction plate

patented technology



nominal values in millimeters [mm]

OPENING	-
MATERIAL	ABS
COLOUR	Orange (Pantone 21C)
WEIGHT	~ 10 g (weighed)
BREAKING LOAD**	-

GENERAL NOTES* Lace Diameter: 1.0 - 1.5mm -Lace Dependent

ARTICLE NO.	01520-DP 0002(21C)
PRODUCT	Winch Compact diameter reduction plate
SCALE	1:1 DIN A4
REVISION / DATE	R00 14.11.23

* The manufacturer of the end products in which FIDLOCK fasteners are used, bears the responsibility for thoroughly testing that the FIDLOCK products are suitable for the intended applications.