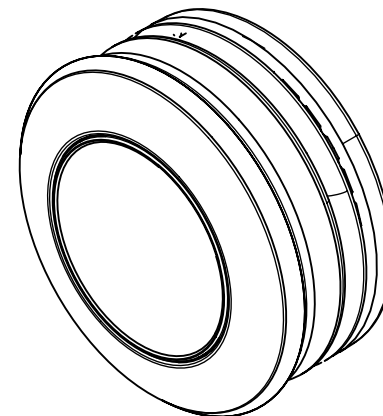


Product	MINI TURN set handle B 50
Opening	Turn
Material	PC / PA66-GF / steele / NdFeB
* Material thicknesses	1,0mm - 2,6mm
Colour	black
Weight	38 g
Load capacity	44 kg
Assambly Guide	<a href="https://fidlock.com/sites/default/files/MINI_TURN-thread-assembly_guide.pdf">https://fidlock.com/sites/default/files/MINI_TURN-thread-assembly_guide.pdf</a>



Article No	02020
Scale	1:1
Date	09.11.2021
Author	AB