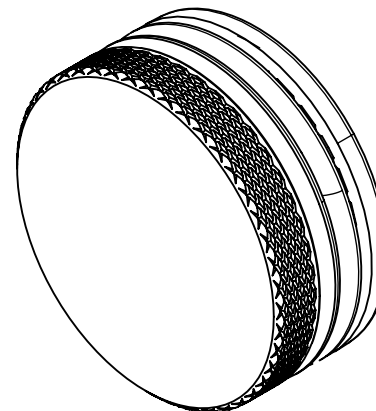


Product	MINI TURN set handle F alu 50
Opening	Turn
Material	aluminium / PA66-GF / steele / NdFeB
* Material thicknesses	1,0mm - 2,6mm
Colour	Alu
Weight	45 g
Load capacity	44 kg
General notes	https://fidlock.com/sites/default/files/MINI_TURN-thread-assembly_guide.pdf



Article No	02050
Scale	1:1
Date	25.10.2021
Author	AB