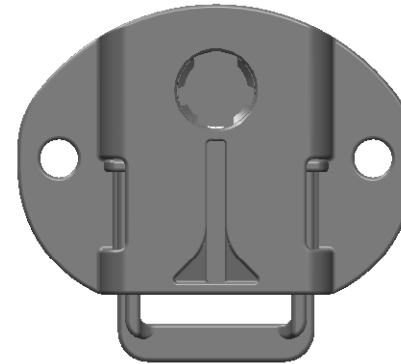
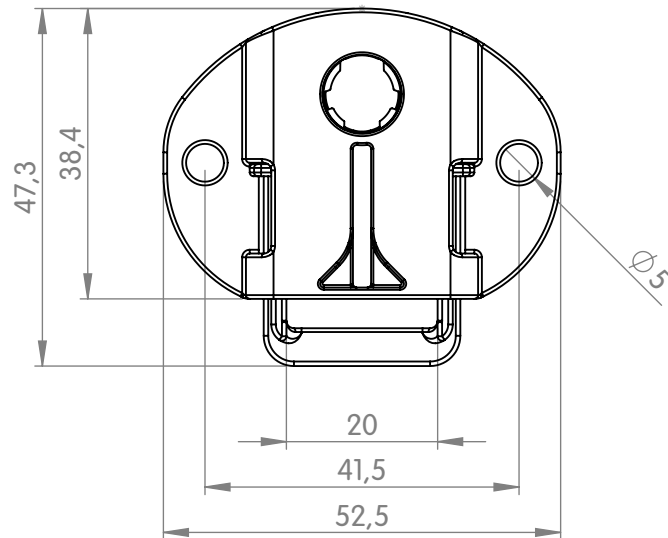
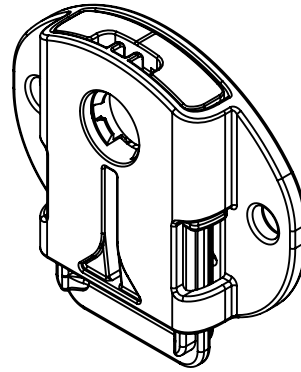
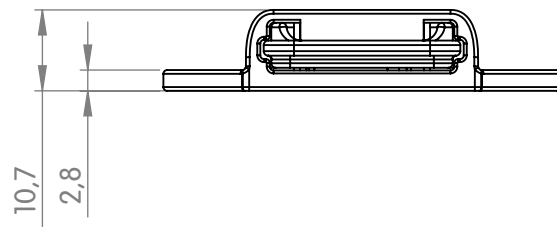


**FIDLOCK®**



Product	SNAP pull female S 20
Opening	pull belt strap
Material	PA66GF; NdFeB
Colour	black
Weight	11g
Load capacity	not reported
General notes	

Article No	05017
Scale	1:1
Date	28.04.2015

patented technology.