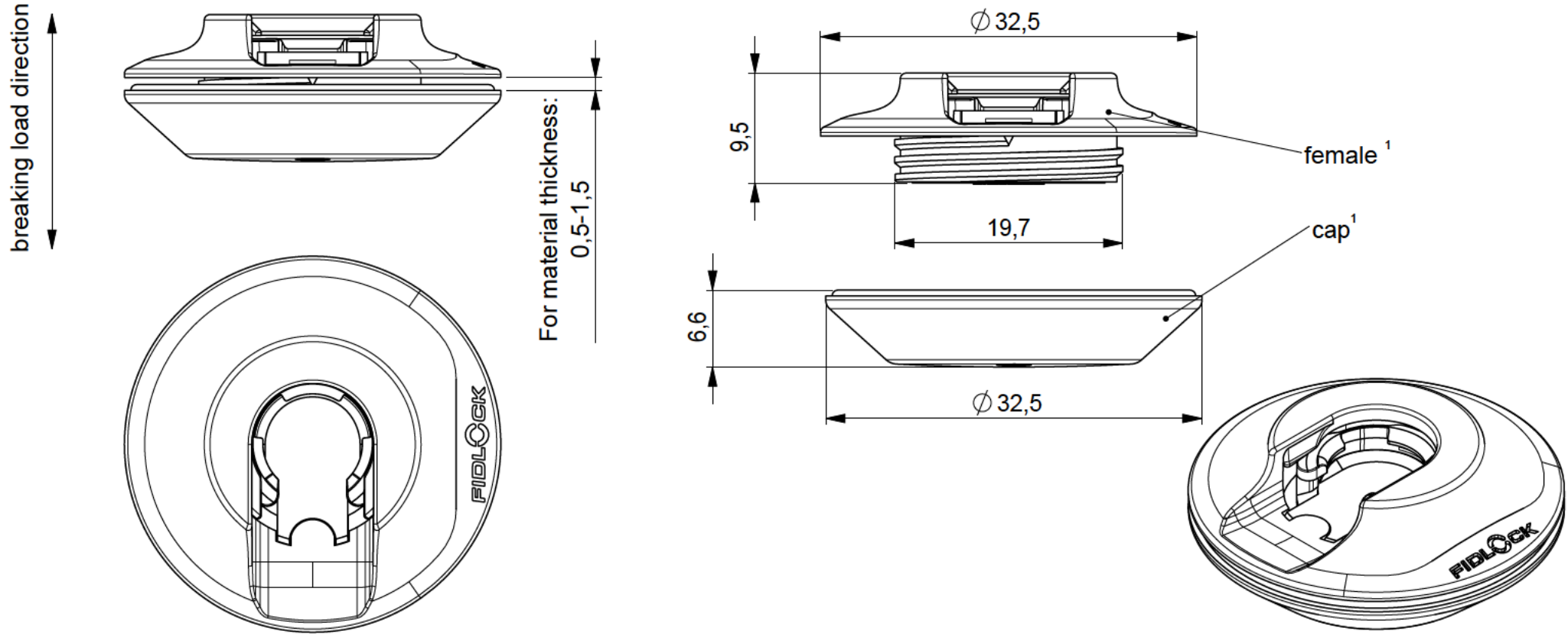


SNAP female S screw cap

patented technology



nominal values in millimeters [mm]

OPENING	slide (lateral)
MATERIAL	PA66 GF, NdFeB, Epoxy
COLOUR	black
WEIGHT	~7 g (weighed)
BREAKING LOAD	20 N

GENERAL NOTES*

For material thickness 0,5-1,5 mm
Waterproof when fitted with O -ring
(included)

ARTICLE NO.	05103
PRODUCT	SNAP female S screw cap
SCALE	2:1 DIN A4
REVISION / DATE	R01 02.04.2024

* The manufacturer of the end products in which FIDLOCK fasteners are used, bears the responsibility for thoroughly testing that the FIDLOCK products are suitable for the intended applications.