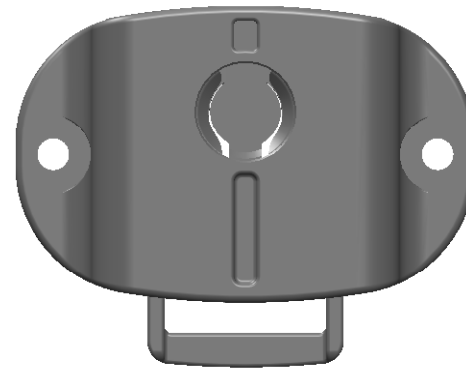
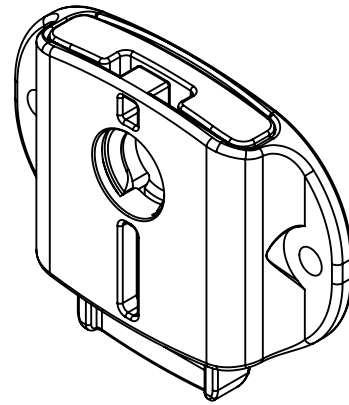
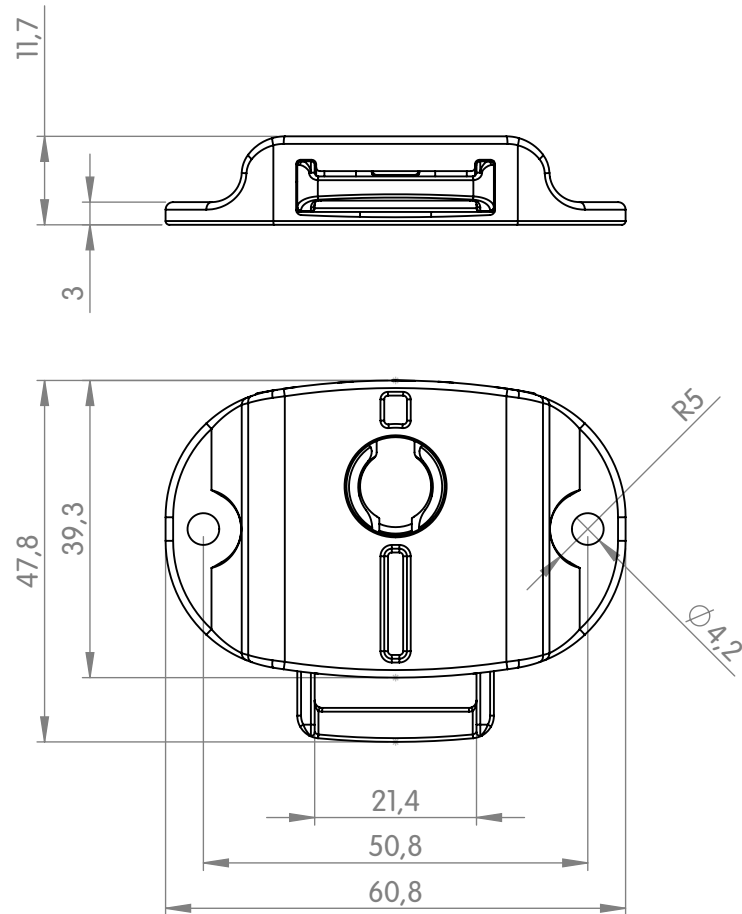


FIDLOCK®



Product	SNAP pull female M 20
Opening	pull belt strap
Material	PA66GF; stainless steel; NdFeB
Colour	black
Weight	13,4g
Load capacity	15
General notes	

Article No	05110
Scale	1:1
Date	13.10.2020

patented technology.