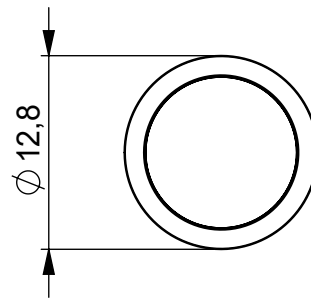
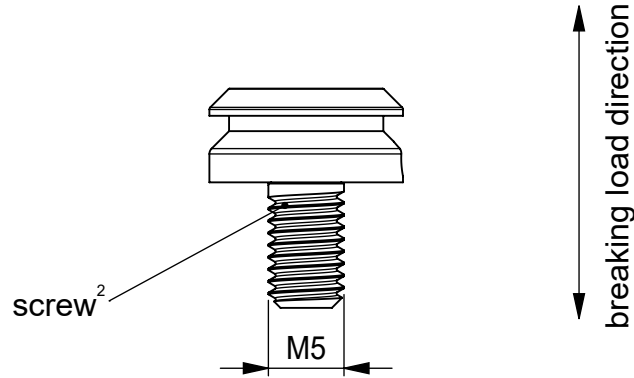
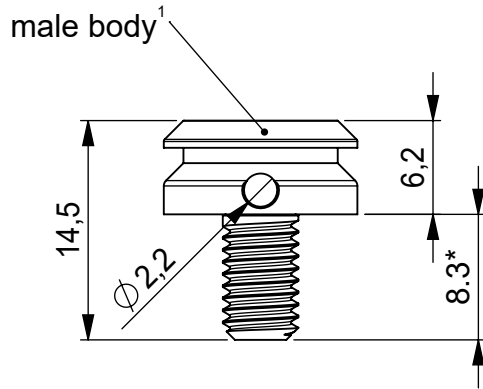
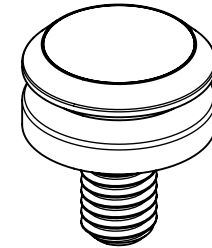


**SNAP male M Bolt - M5 x 8 mm**

patented technology



NOTE:  
For assembly use hookwrench  
with 2,2 mm cone



nominal values in millimeters [mm]

<b>OPENING</b>	depends on female part
<b>MATERIAL</b>	Aluminum <sup>1</sup> , Steel (Zn coated) <sup>2</sup> , NdFeB, Epoxy
<b>COLOUR</b>	Natural anodized/black anodized
<b>WEIGHT</b>	~ 4 g (weighed)
<b>BREAKING LOAD</b>	depends on female part

**GENERAL NOTES\***

Requires flat surface to be mounted on. All dimensions for reference only. \*Dimensions might change due to process

<b>ARTICLE NO.</b>	05150
<b>PRODUCT</b>	SNAP male M bolt-M5x8
<b>SCALE</b>	2:1 DIN A4
<b>REVISION / DATE</b>	R00 05.07.23

\* The manufacturer of the end products in which FIDLOCK fasteners are used, bears the responsibility for thoroughly testing that the FIDLOCK products are suitable for the intended applications.