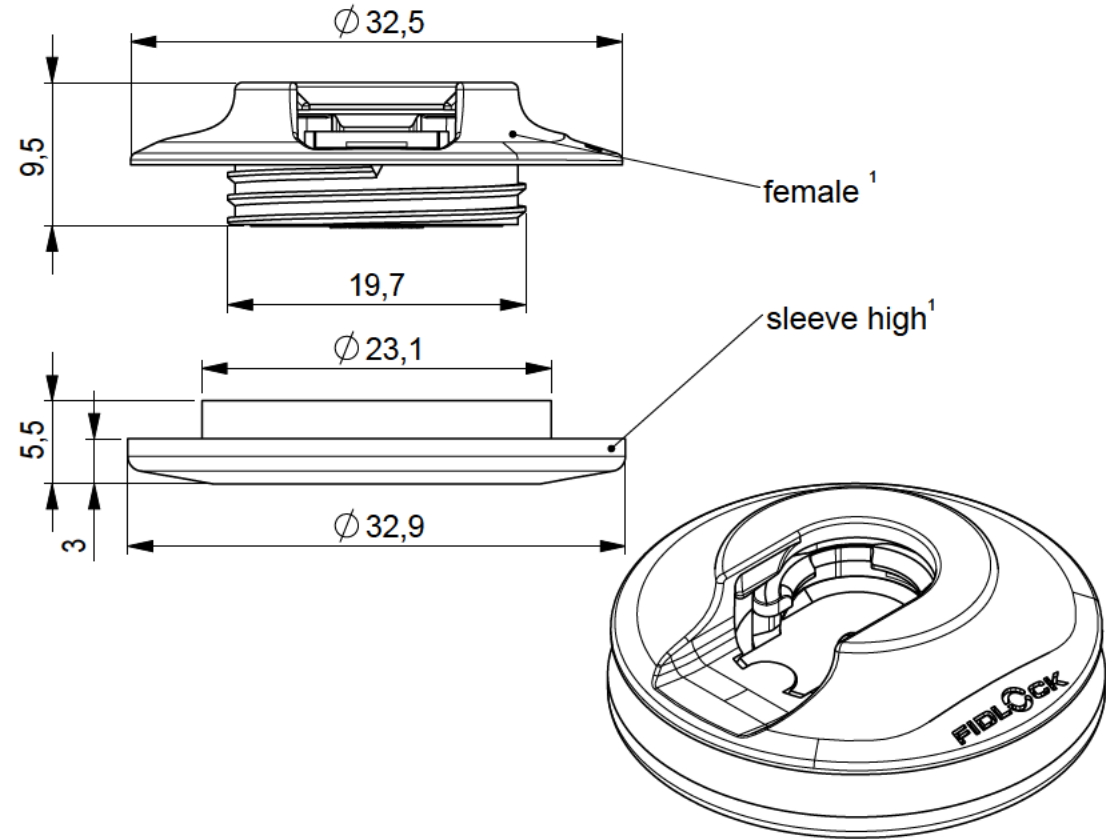
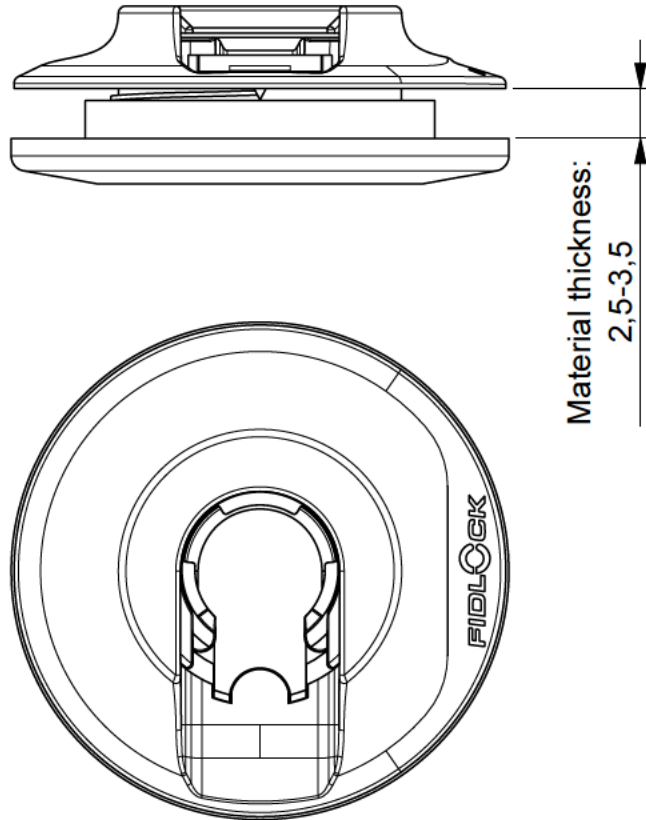


SNAP female S screw high

patented technology

breaking load direction



nominal values in millimeters [mm]

OPENING	slide (lateral)
MATERIAL	PA66 GF, NdFeB, Epoxy
COLOUR	black
WEIGHT	~ 6 g (weighed)
BREAKING LOAD	20 N

GENERAL NOTES* For material thickness 2,5-3,5 mm

ARTICLE NO.	05200
PRODUCT	SNAP female S screw high
SCALE	2:1 DIN A4
REVISION / DATE	R00 05.07.23

* The manufacturer of the end products in which FIDLOCK fasteners are used, bears the responsibility for thoroughly testing that the FIDLOCK products are suitable for the intended applications.