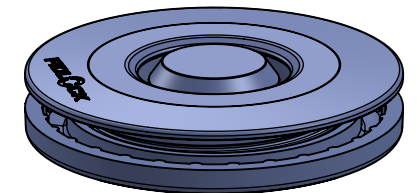
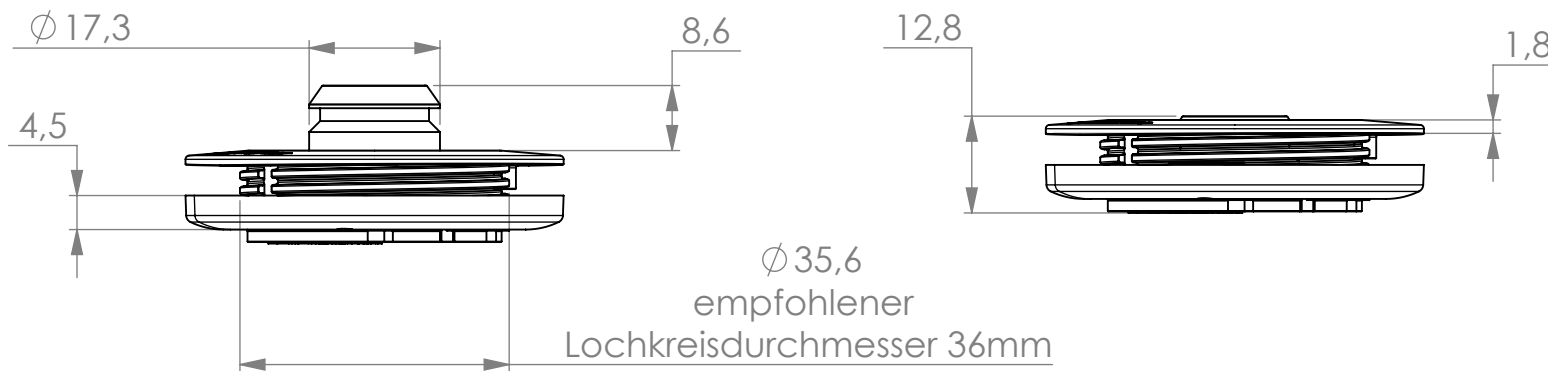
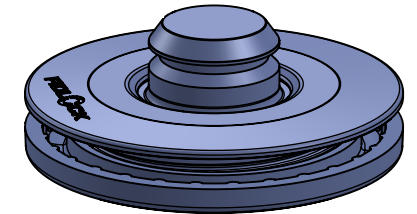
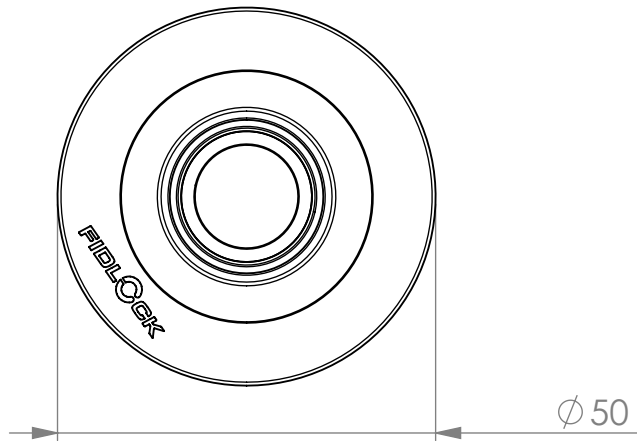


FIDLOCK®



Product	Snap male L retractable
Opening	slide sideways
Material	PA66 GF, FE, NdFeB
Colour	black
Weight	15,5g
Load capacity	30kg
General notes	

Article No	05270-000002(BLK)
Scale	1:1
Date	18.12.2019
Author	BjB

patented technology.