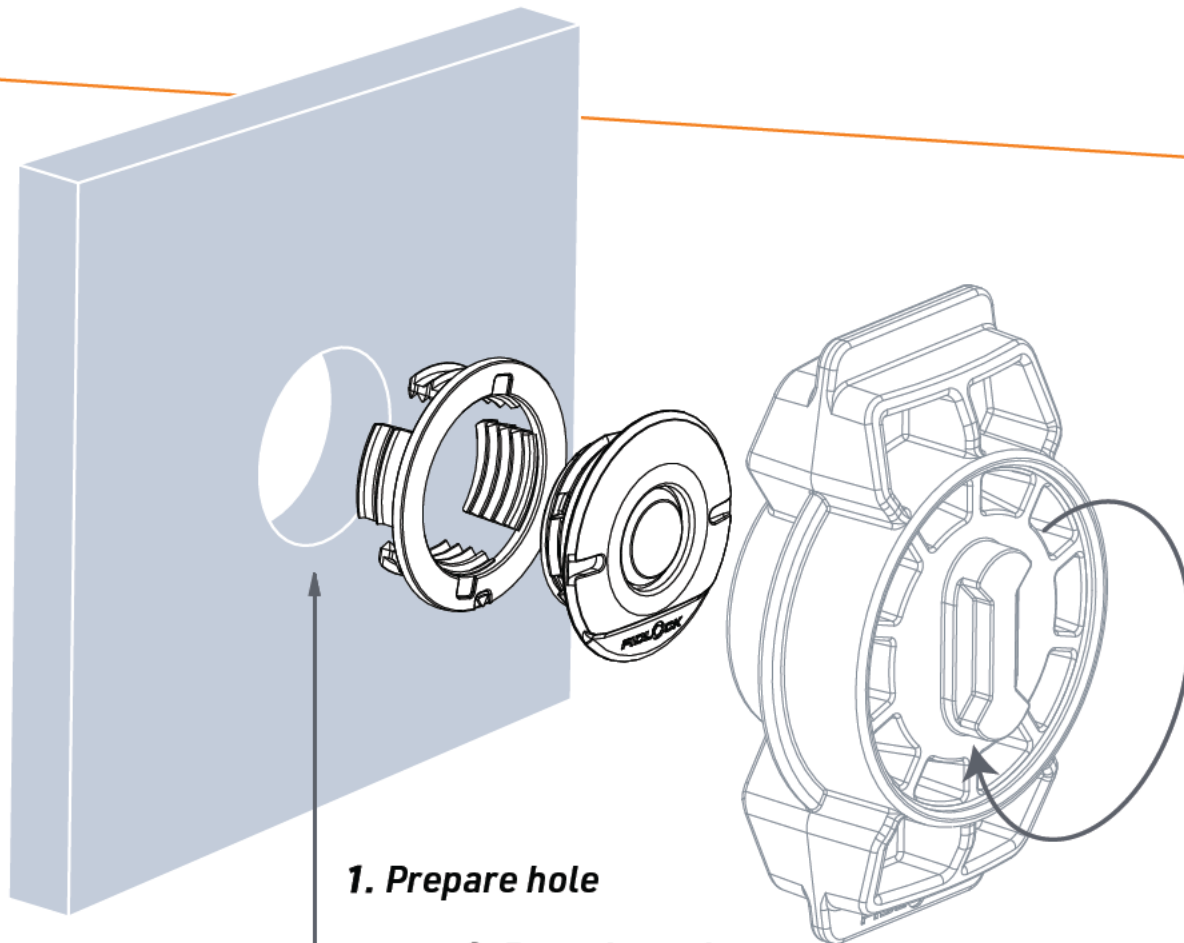


Assembly guide

SNAP male M retractable anchor
+ tool 31

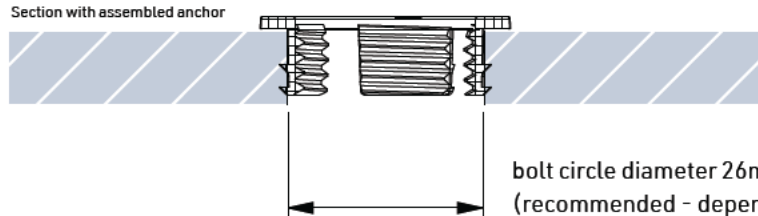


1. Prepare hole

2. Press in anchor

**3. Screw in and align
with mounting TOOL 31**

Section with assembled anchor



bolt circle diameter 26mm
(recommended - depends on the material in which it is assembled)

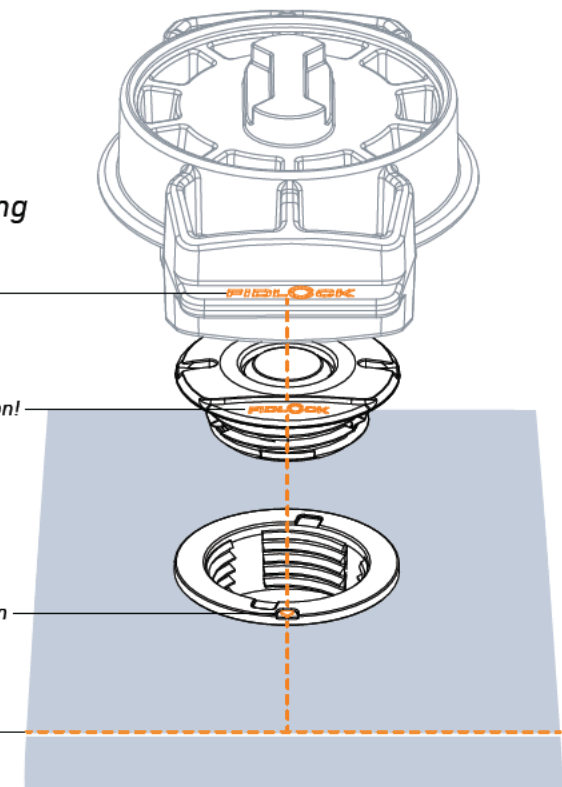
Logo positioning

Logo marking on tool
for orientation

Avoid overhead position!

Marking on anchor for
correct logo orientation

Align perpendicular
to an edge



ARTICLE NO.	05281-000001 (BLK) FID-010517
DATE	07.07.2022
AUTHOR	EE

patented technology.