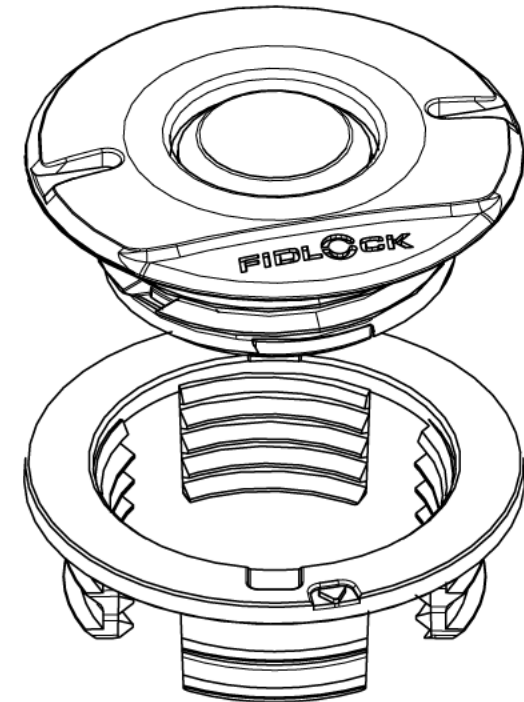


recommended bolt circle diameter is 26mm*

use TOOL 31 for
assembly and
correct logo
positioning*



*see *assembly guide* for more information

| | |
|----------------------|---|
| PRODUCT | SNAP male M retractable anchor |
| APPLICATION | bags, children, outdoor, professionals, transportation, sports |
| OPENING | slide (lateral) |
| MATERIAL | PA66GF15, NdFeB, stainless steel (magnetized) |
| COLOUR | black |
| WEIGHT | 7.5 g |
| LOAD CAPACITY | 30 kg |
| GENERAL NOTES | application is designed for various attachment options and compatible with all SNAP female M components |

| | |
|--------------------|---------------------------------|
| ARTICLE NO. | 05281-000001 (BLK) / FID-010517 |
| SCALE | 1:1 |
| DATE | 11.07.2022 |
| AUTHOR | EE |

patented technology.