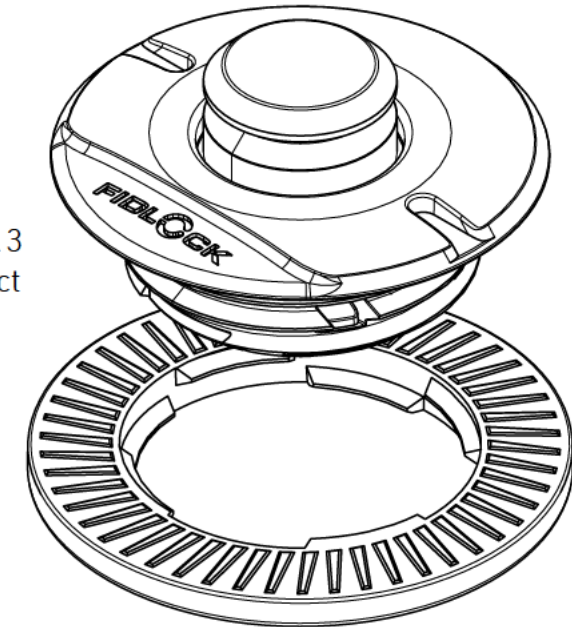


Use TOOL 31 and TOOL 3 for assembly and correct logo positioning*



*see *assembly guide* for more information

PRODUCT	SNAP male M retractable screw
APPLICATION	bags, children, outdoor, professionals, transportation, sports
OPENING	slide (lateral)
MATERIAL	PA66GF15, NdFeB, stainless steel (magnetized)
COLOUR	black
WEIGHT	8.6 g
LOAD CAPACITY	30 kg
GENERAL NOTES	application is designed for various attachment options and compatible with all SNAP female M components

ARTICLE NO.	05282-000002(BLK) / FID-010516
SCALE	1:1
DATE	11.07.2022
AUTHOR	EE