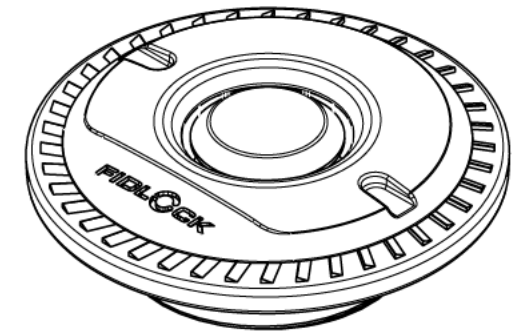
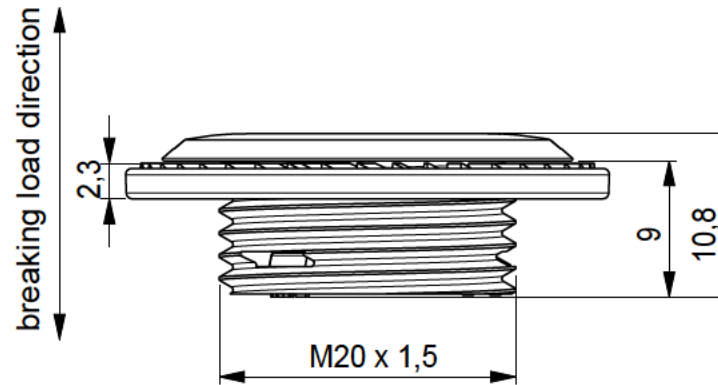
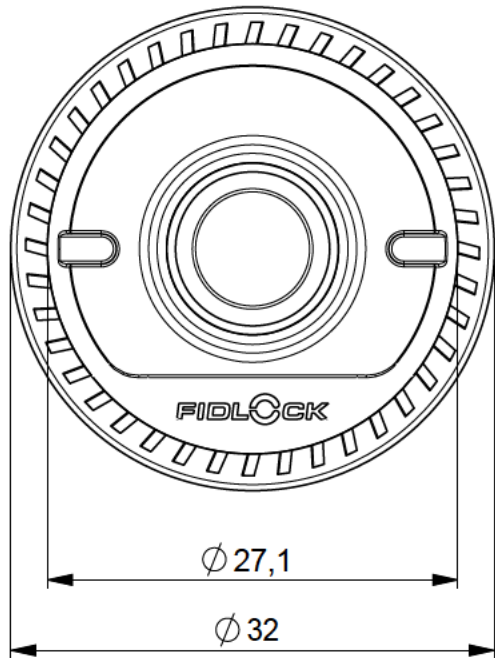


Snap male S retractable screw

patented technology



Use T00L31 and T00L3 for assembly and correct logo positioning.

See assembly guide for more information

nominal values in millimeters [mm]

OPENING	Slide (lateral)
MATERIAL	PA66GF15, NdFeB, stainless steel (magnetized)
COLOUR	Black
WEIGHT	5,4 g (weighed)
BREAKING LOAD**	100 N***

GENERAL NOTES*
Application is designed for various attachment options and compatible with all SNAP female S components

ARTICLE NO.	05287-000002(BLK)
PRODUCT	SNAP male S retractable screw
SCALE	2:1 DIN A4
REVISION / DATE	R00 22.07.24

* The manufacturer of the end products in which FIDLOCK fasteners are used, bears the responsibility for thoroughly testing that the FIDLOCK products are suitable for the intended applications.

** According to test specification QM-TP-001

*** The static breaking load specification applies in conjunction with the female products 05516 and 05517