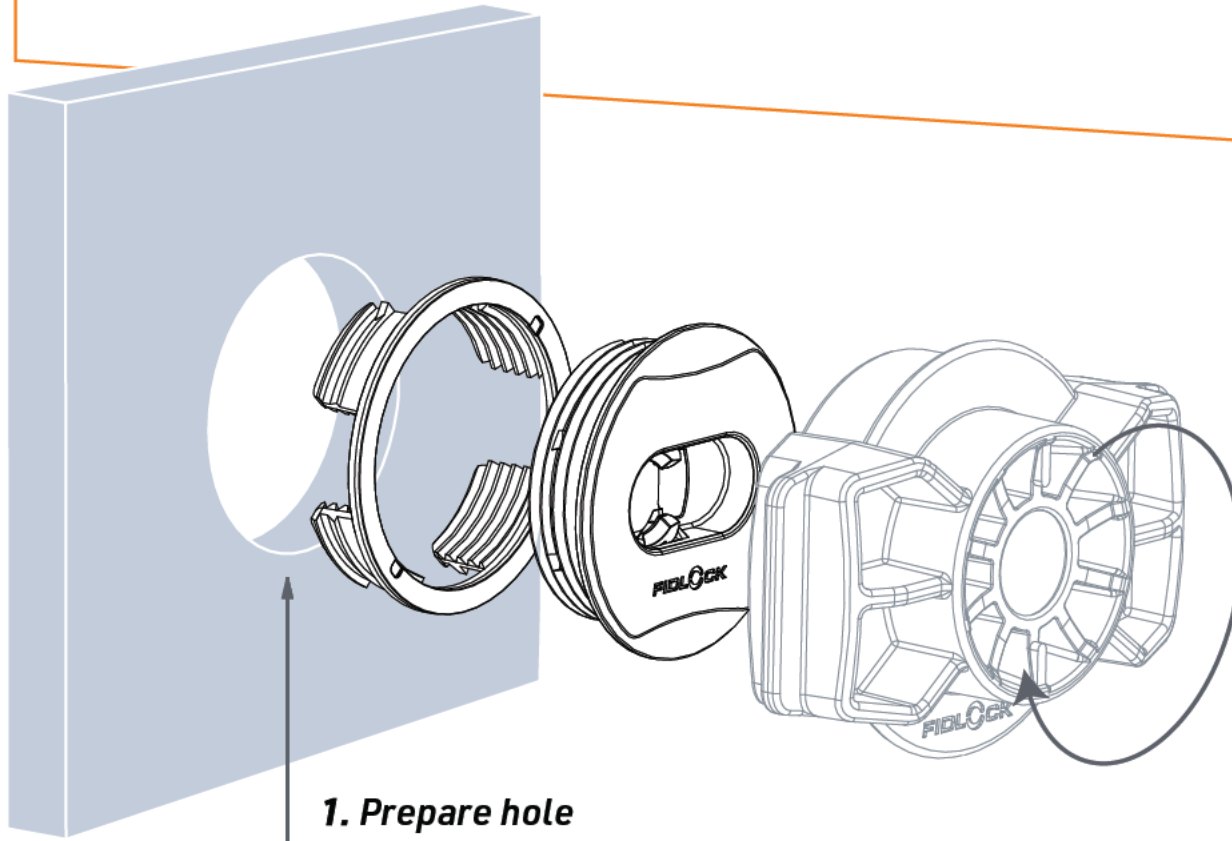


## Assembly guide

SNAP female M inset anchor  
+ tool 31



**1. Prepare hole**

**2. Press in anchor**

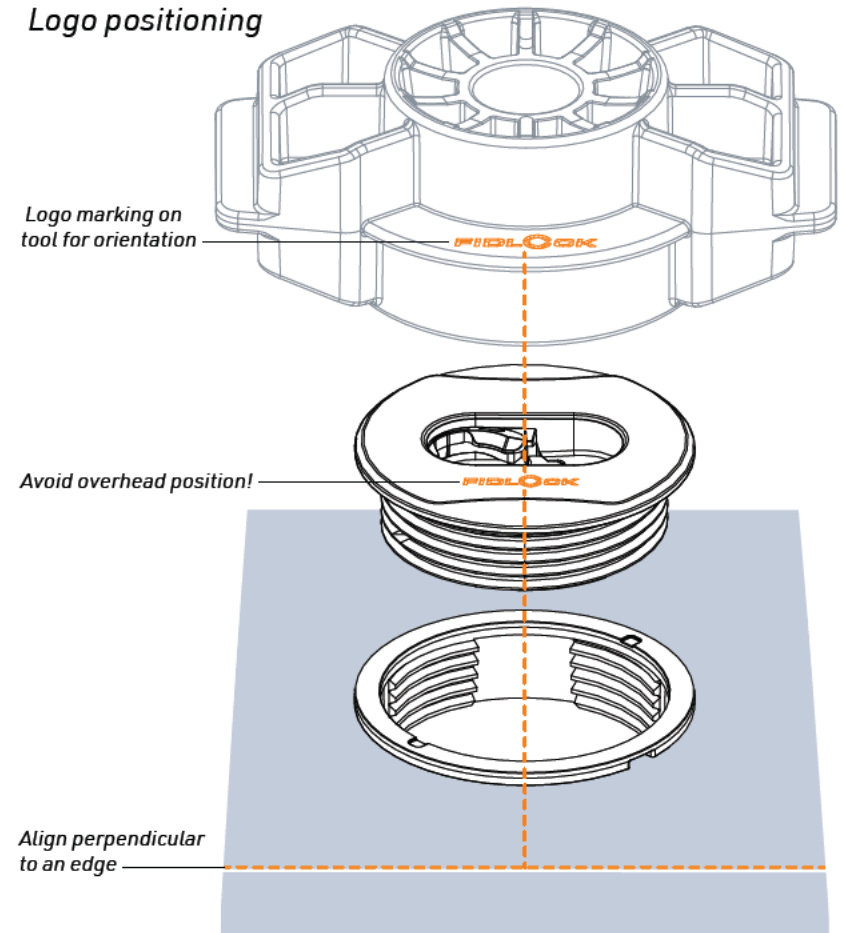
**3. Screw in and align  
with mounting TOOL  
31**

Section with assembled anchor



bolt circle diameter 40mm  
(recommended - depends on the material in which it is assembled)

### Logo positioning



|             |                                  |
|-------------|----------------------------------|
| ARTICLE NO. | 05512-000001 (BLK)<br>FID-010374 |
| DATE        | 07.07.2022                       |
| AUTHOR      | EE                               |

patented technology.