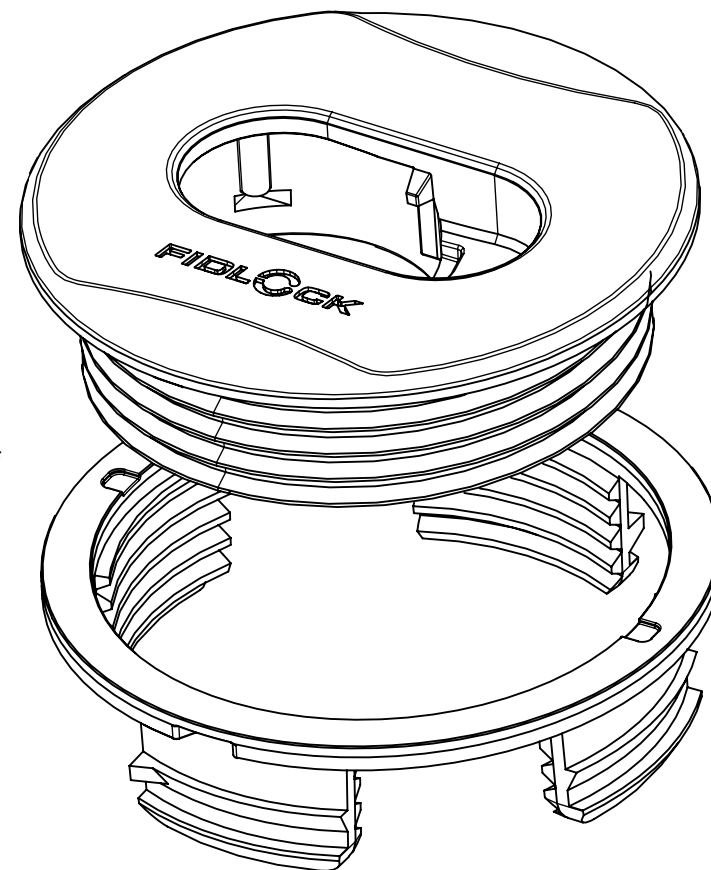


recommended bolt circle diameter is 40mm\*

Use tool 31 and tool 3 for assembly and correct logo positioning\*



\*see assembly guide for more information

<b>PRODUCT</b>	SNAP female M inset anchor
<b>APPLICATION</b>	bags, children, outdoor, professionals, transportation, sports
<b>OPENING</b>	slide (lateral)
<b>MATERIAL</b>	PA66GF15, NdFeB, stainless steel (magnetized)
<b>COLOUR</b>	black
<b>WEIGHT</b>	13.9 g
<b>LOAD CAPACITY</b>	30 kg
<b>GENERAL NOTES</b>	application is designed for various attachment options and compatible with all SNAP male M components

<b>ARTICLE NO.</b>	05512-000002(BLK) / FID-010374
<b>SCALE</b>	1:1
<b>DATE</b>	27.09.2022
<b>AUTHOR</b>	EE

patented technology.