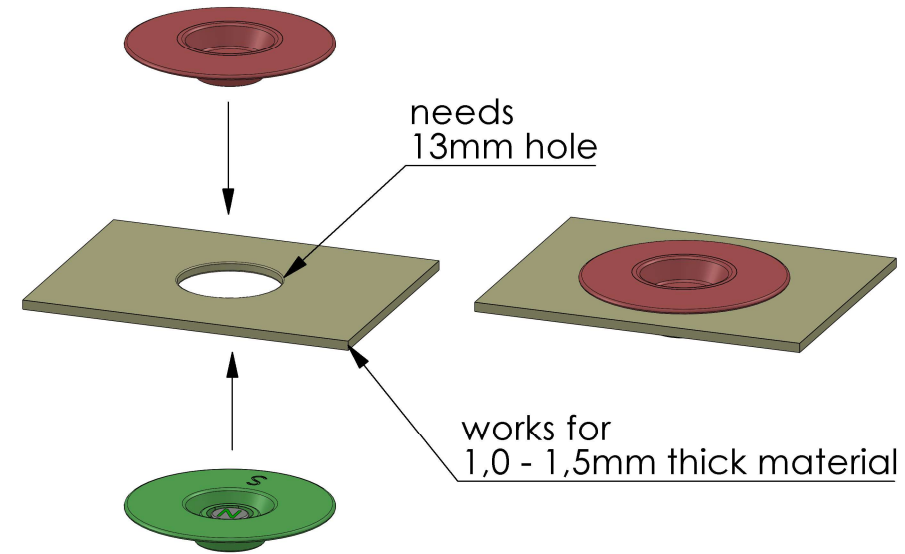
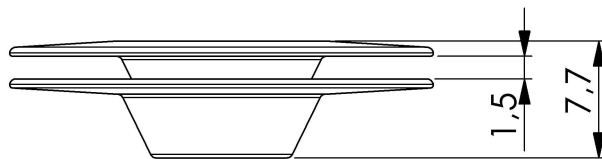
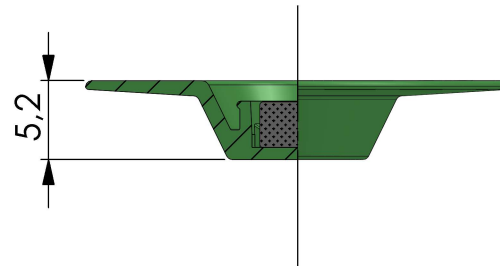
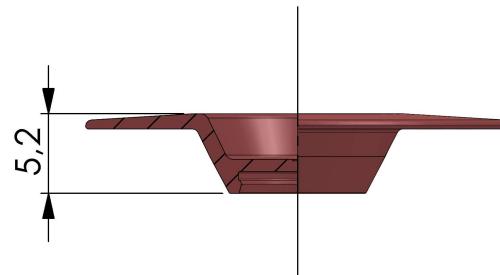
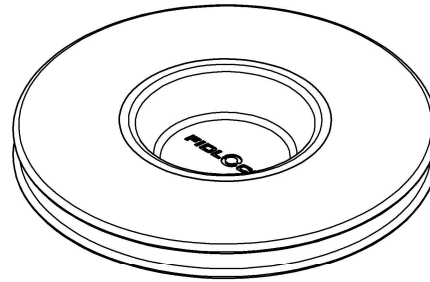
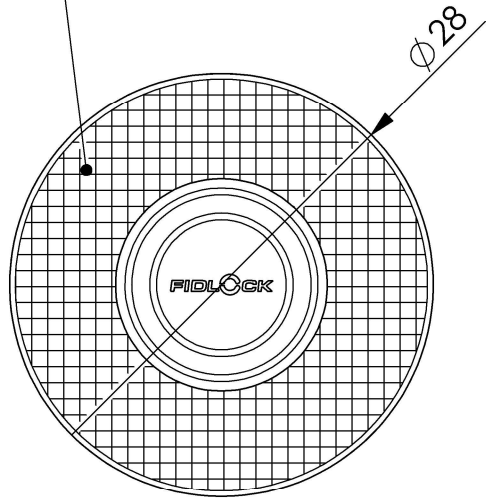


**Stitching area**

Proceed like stitching zipper  
Use a zipper presser foot and stitch length 2-3 mm  
(For securing the thread we recommend choosing a position next to the Fidlock part. Otherwise stability could be reduced.)



Product	Snap stackable S
Opening	pull
Material	PP
Colour	black
Weight	1,5g
Load capacity	
General notes	1. connect by pressing (watertight) (using a toggle press is recommended) 2. needs to be stitched to material

Article No	09210-000001(BLK)
Scale	2:1
Date	14.04.2021
Author	SO