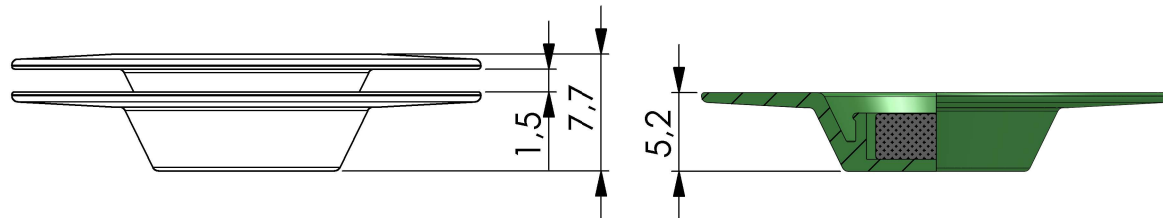
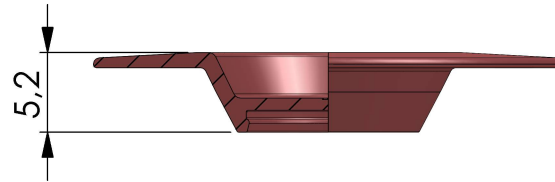
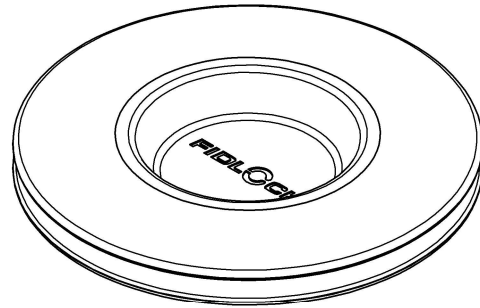
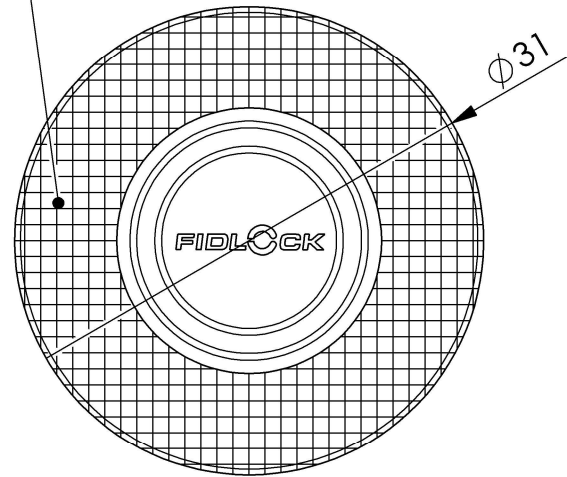
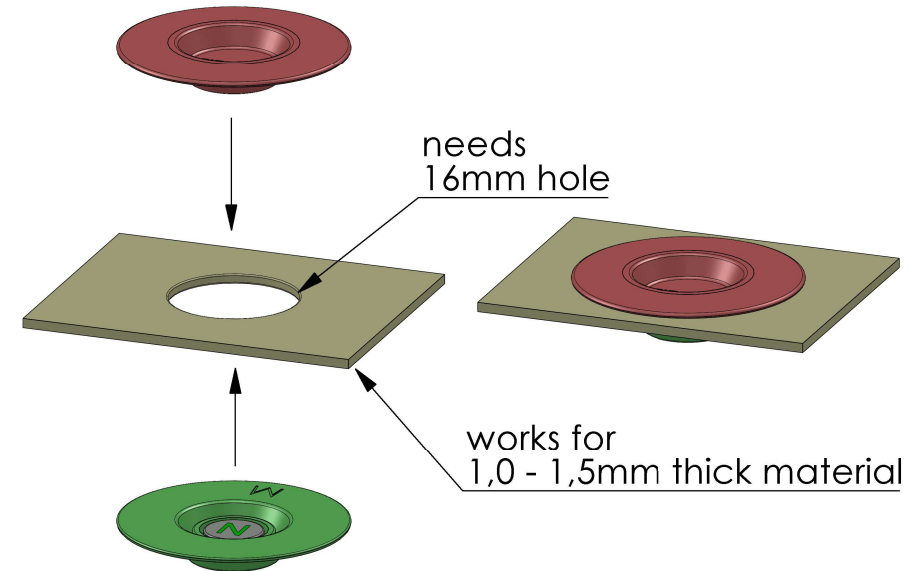


Stitching area

Proceed like stitching zipper
 Use a zipper presser foot and stitch length 2-3 mm
 (For securing the thread we recommend choosing a position next to the Fidlock part. Otherwise stability could be reduced.)



FIDLOCK®



Product	Snap stackable M
Opening	pull
Material	PP
Colour	black
Weight	2,5g
Load capacity	
General notes	1. connect by pressing (watertight) (using a toggle press is recommended) 2. needs to be stitched to material

Article No	09211-000001(BLK)
Scale	2:1
Date	14.04.2021
Author	SO

patented technology.