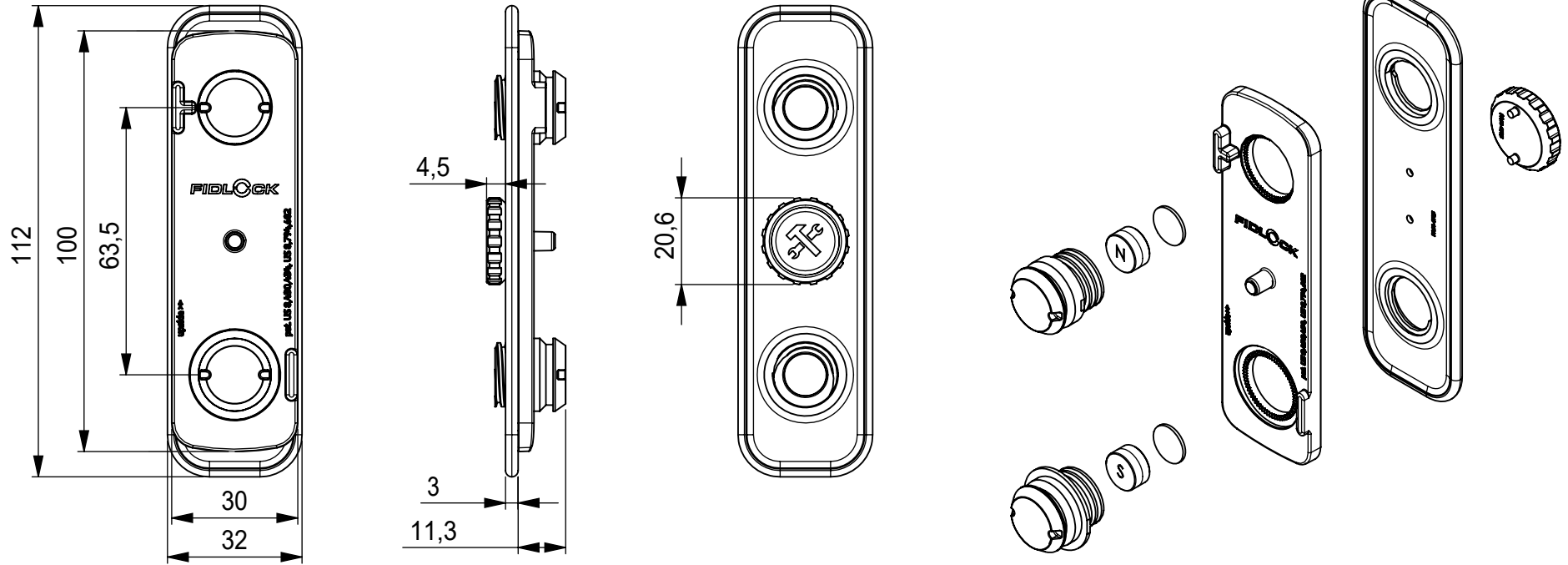


***TWIST tex base horizontal***

patented technology



nominal values in millimeters [mm]

<b>OPENING</b>	twist
<b>MATERIAL</b>	PA66GF, NdFeB, epoxy
<b>COLOUR</b>	black
<b>WEIGHT</b>	~ 29g (weighed)
<b>BREAKING LOAD**</b>	6N

**GENERAL NOTES\***

also available as OEM version without plastic minitool: 09605-000012(BLK);  
tool for mass assembly: TOOL28

<b>ARTICLE NO.</b>	09605-000012(BLK)
<b>PRODUCT</b>	TWIST tex base horizontal
<b>SCALE</b>	1:1,5 DIN A4
<b>REVISION / DATE</b>	R00 13.08.24

\* The manufacturer of the end products in which FIDLOCK fasteners are used, bears the responsibility for thoroughly testing that the FIDLOCK products are suitable for the intended applications.

\*\* According to test specification QM-TP-001