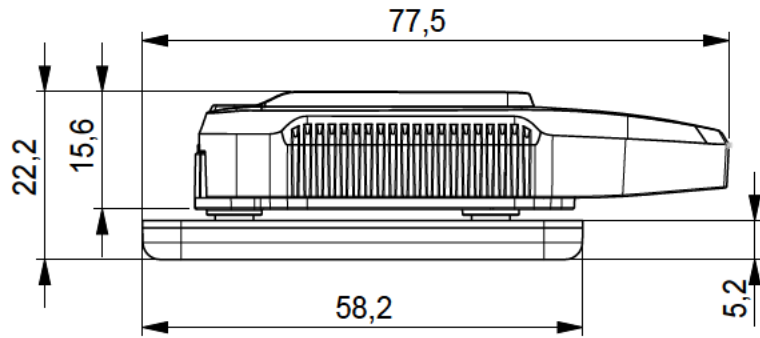
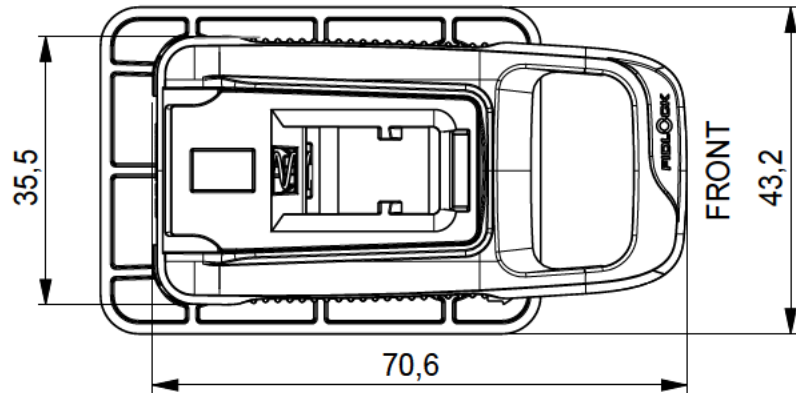
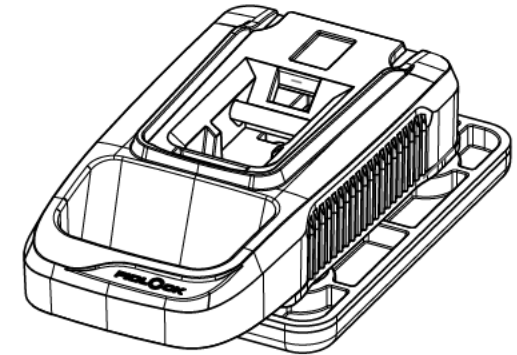
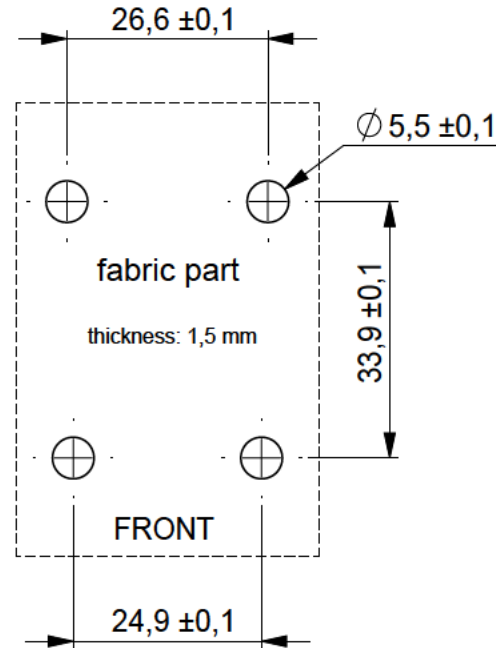


**PINCLIP female S saddle bag**

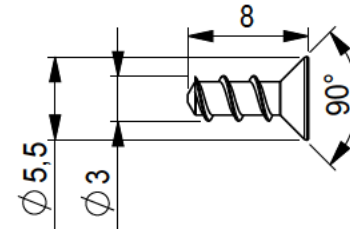
patented technology



↑  
breaking load direction  
↓



compatible screw  
for thermoplastics:



nominal values in millimeters [mm]

<b>OPENING</b>	Pull
<b>MATERIAL</b>	PA66GF, POM, stainless steel Zn coated, stainless steel, NdFeB, epoxy
<b>COLOUR</b>	black main body
<b>WEIGHT</b>	~ 37 g (weighed)
<b>BREAKING LOAD**</b>	730 N**

**GENERAL NOTES\***

compatible malepart:

PINCLIP male S saddle bag (A-03100-000001(BLK))

**ARTICLE NO.**

A-00012-000011(BLK)

**PRODUCT**

PINCLIP female assembly saddle base

**SCALE**

1:1 DIN A4

**REVISION / DATE**

R00 26.02.24

\* The manufacturer of the end products in which FIDLOCK fasteners are used, bears the responsibility for thoroughly testing that the FIDLOCK products are suitable for the intended applications.

\*\* According to test specification QM-TP-001

Subject to change without notice, errors excepted