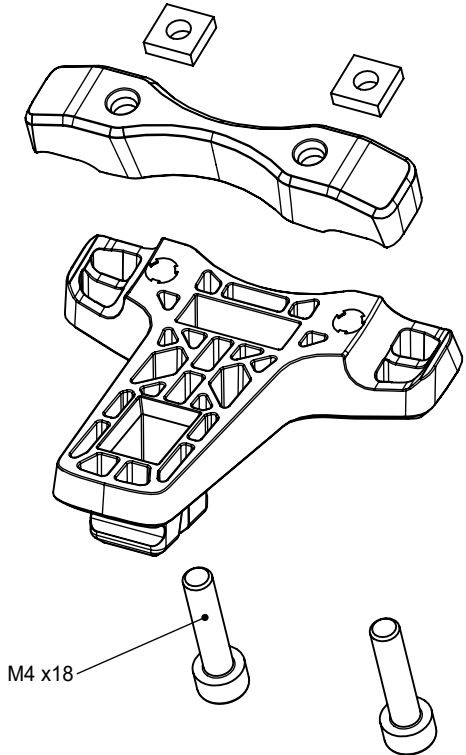
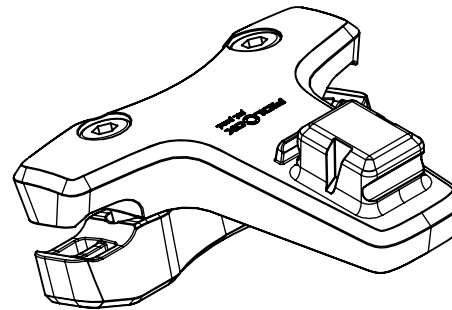
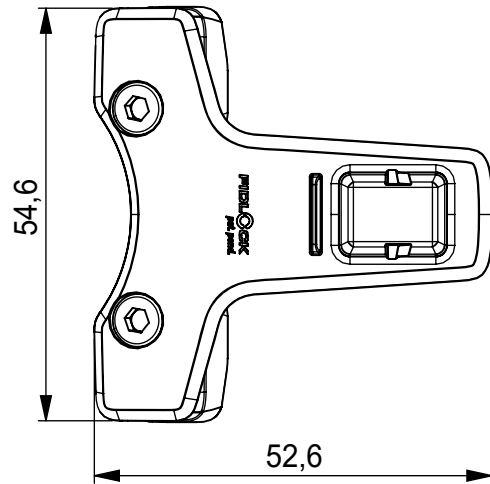
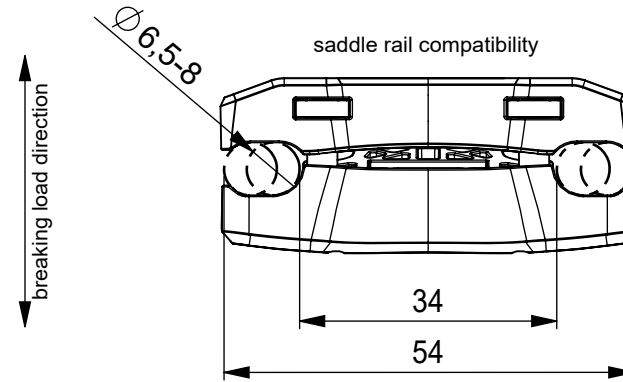
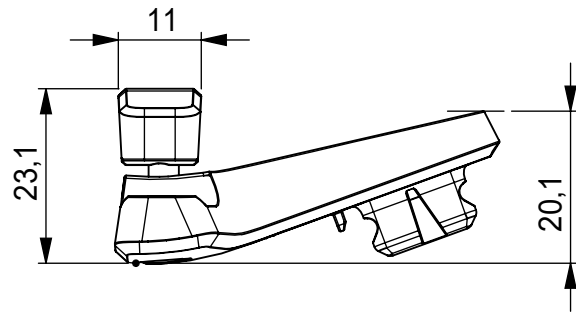


**PINCLIP male S saddle base**

patented technology



nominal values in millimeters [mm]

<b>OPENING</b>	depends on female part
<b>MATERIAL</b>	PA66GF, NdFeB, epoxy, stainless steel, steel zn coated
<b>COLOUR</b>	black main body
<b>WEIGHT</b>	~ 27 g (weighed)
<b>BREAKING LOAD**</b>	730 N**

<b>GENERAL NOTES*</b>	compatible female parts: PINCLIP female S saddle base (A-00012-000011(BLK)) PINCLIP Action Cam Mount (09702-P01002(BLK))
-----------------------	--

<b>ARTICLE NO.</b>	A-03100-000001(BLK)
<b>PRODUCT</b>	PINCLIP male S saddle base
<b>SCALE</b>	1:1 DIN A4
<b>REVISION / DATE</b>	R00 12.02.24

\* The manufacturer of the end products in which FIDLOCK fasteners are used, bears the responsibility for thoroughly testing that the FIDLOCK products are suitable for the intended applications.

\*\* According to test specification QM-TP-001