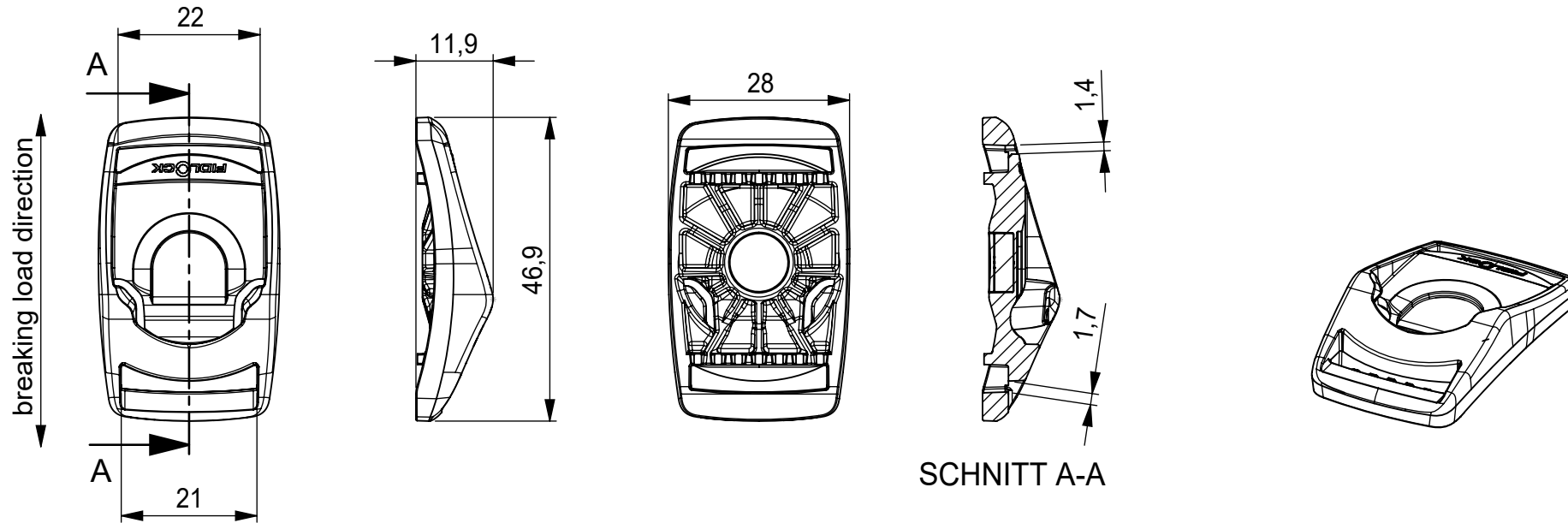


COINTRAP female M 20 adjuster V

patented technology



nominal values in millimeters [mm]

OPENING	lift
MATERIAL	PA66GF, NdFeB, epoxy
COLOUR	black
WEIGHT	~ 5.9 g (weighed)
BREAKING LOAD**	350 N

GENERAL NOTES*

ARTICLE NO.	07077-F00002(BLK)
PRODUCT	COINTRAP female M 20 adjuster V
SCALE	1:1 DIN A4
REVISION / DATE	R01 29.05.2024

* The manufacturer of the end products in which FIDLOCK fasteners are used, bears the responsibility for thoroughly testing that the FIDLOCK products are suitable for the intended applications.

** According to test specification QM-TP-001