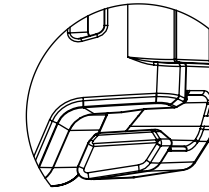
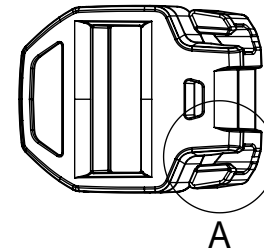
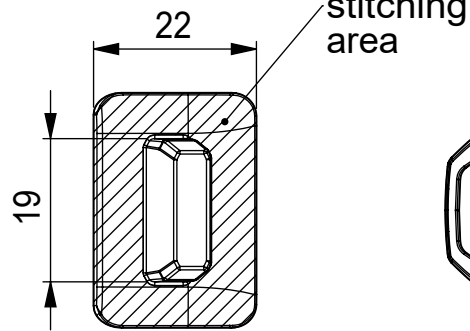
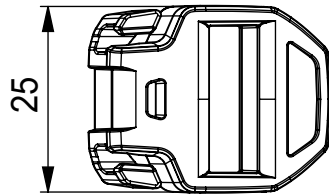
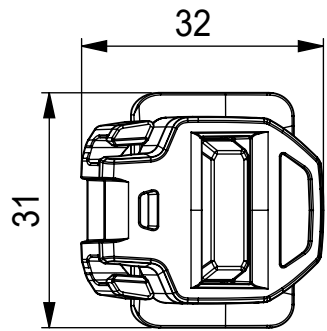
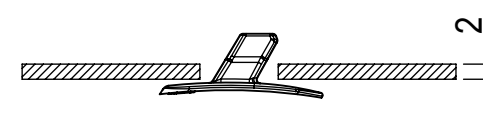
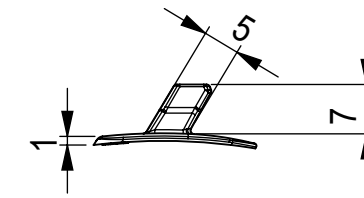
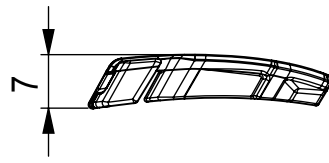
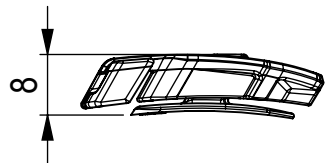


FIDLOCK®



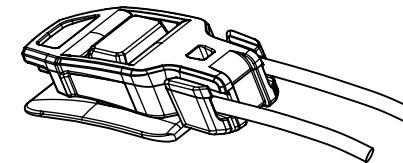
version for
rope Ø
2.5x-
3.5mm

DETAIL A



max material
thickness when
used as
underlay

PRODUCT	Stripe Rope
APPLICATION	
OPENING	lift
MATERIAL	PA6, NdFeB, Epoxy
COLOUR	black
COLORABLE	yes
WEIGHT	~7 g
LOAD CAPACITY	n.a.
GENERAL NOTES	<p>printed FIDLOCK logo stitchable base delivery without rope rope recommendation: synthetic fibre, Ø 2.5x-3.5mm two versions available for different rope Ø</p>



for rope
assembly
please see
assembly guide

ARTICLE NO.	F1390-000012(BLK)
SCALE	1:1
DATE	11.05.2022
AUTHOR	OS

patented technology.