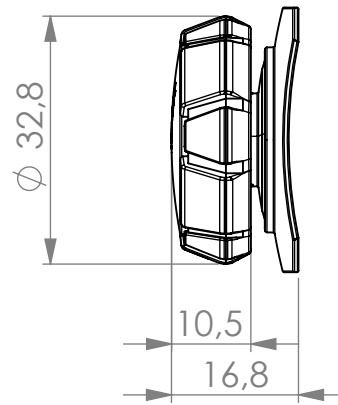
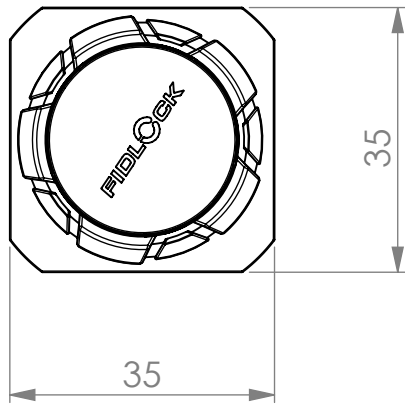
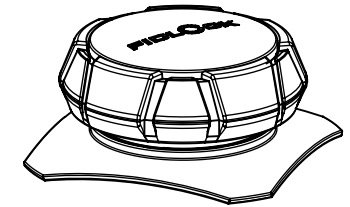
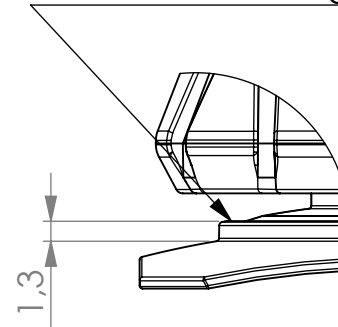


FIDLOCK®

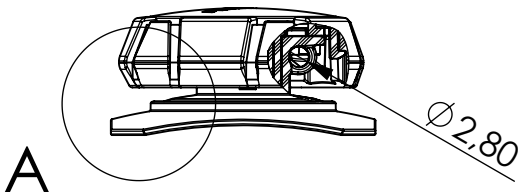


Fabric or Leather should not exceed the height!

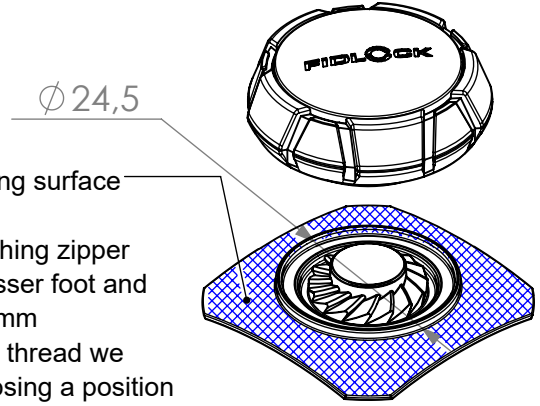


DETAIL A

MABSTAB 2 : 1



product	WINCH
opening	Pull
material	PA6, PA66GF15, ABS, NbFeB, Epoxy
colour	black
lace/string diameter	1,2 - 2,75 mm
lace/string max. capacity	500 mm
lace/string attachment	overhand knot, figure eight knot
weight	9,7 g
load capacity	200 N
washability	max. 60 degree
general notes	stitchable base, delivery without Lace/String, String braided, polyester fibers, nylon;



sewing and gluing surface

Proceed like stitching zipper
Use a zipper presser foot and stitch length 2-3 mm
(For securing the thread we recommend choosing a position next to the Fidlock part. Otherwise stability could be reduced.)

Article No	F1500
Scale	1:1
Date	23.06.2022
Author	SO

patented technology.