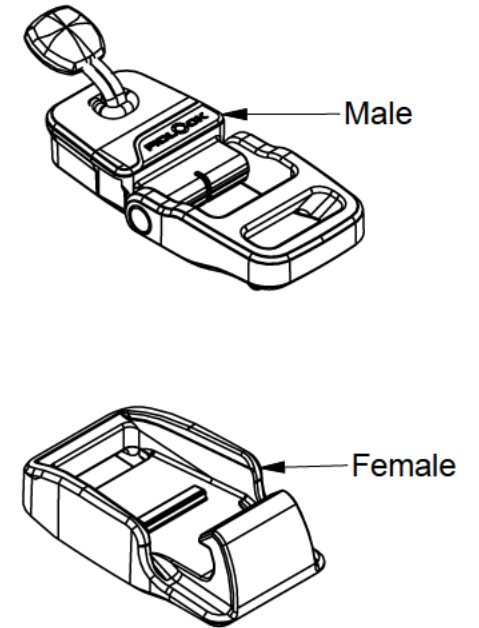
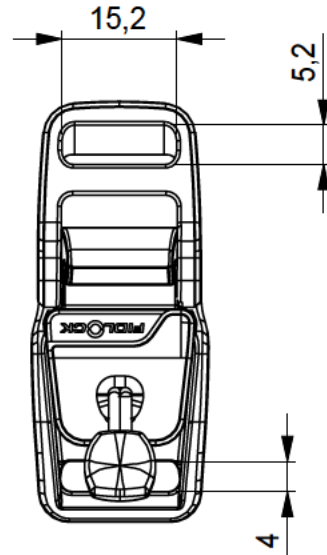
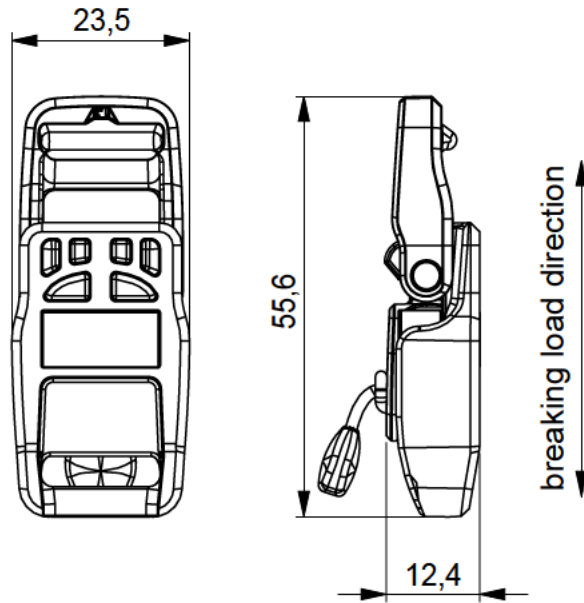


HOOK 15 helmet buckle EQ LL

patented technology



nominal values in millimeters [mm]

OPENING	Lifting
MATERIAL	PA66GFCF30, SUS304
COLOUR	Black
WEIGHT	~15g (weighed)
BREAKING LOAD**	675 N

GENERAL NOTES*
 With ladder lock for doubled 1,2 mm thick webbing and for 15mm webbing.

ARTICLE NO.	F1666-000002(BLK)
PRODUCT	Hook helmet 15 EQ LL
SCALE	1:1 DIN A4
REVISION / DATE	R00 11.09.24

* The manufacturer of the end products in which FIDLOCK fasteners are used, bears the responsibility for thoroughly testing that the FIDLOCK products are suitable for the intended applications.

** According to test specification QM-TP-001