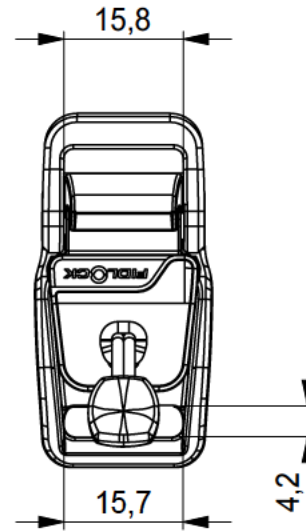
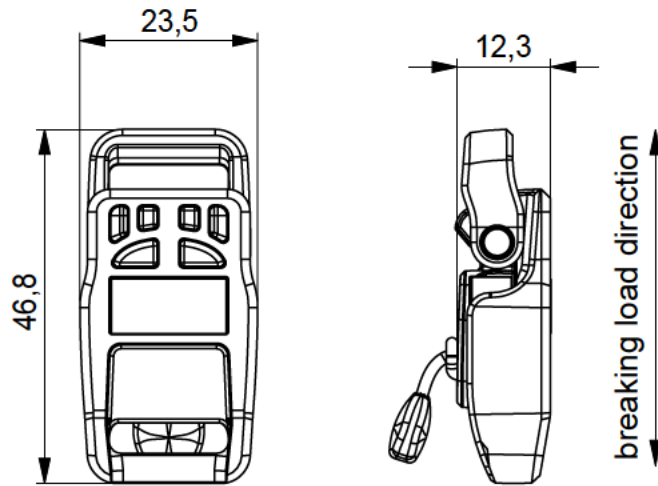
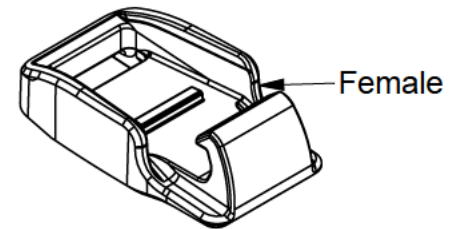
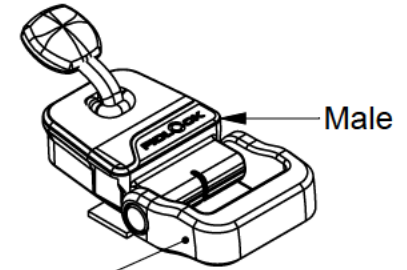


HOOK 15 helmet buckle EQ SB

patented technology



Single Layer webbing only
Maximum webbing thickness 1.4 mm.



nominal values in millimeters [mm]

OPENING	Lifting
MATERIAL	PA66GFCF30, SUS304
COLOUR	Black
WEIGHT	~14g (weighed)
BREAKING LOAD**	800 N

GENERAL NOTES* Singlebar for 15mm webbing

ARTICLE NO.	F1668-000002(BLK)
PRODUCT	Hook helmet 15 EQ SB
SCALE	1:1 DIN A4
REVISION / DATE	R00 13.08.24

* The manufacturer of the end products in which FIDLOCK fasteners are used, bears the responsibility for thoroughly testing that the FIDLOCK products are suitable for the intended applications.

** According to test specification QM-TP-001