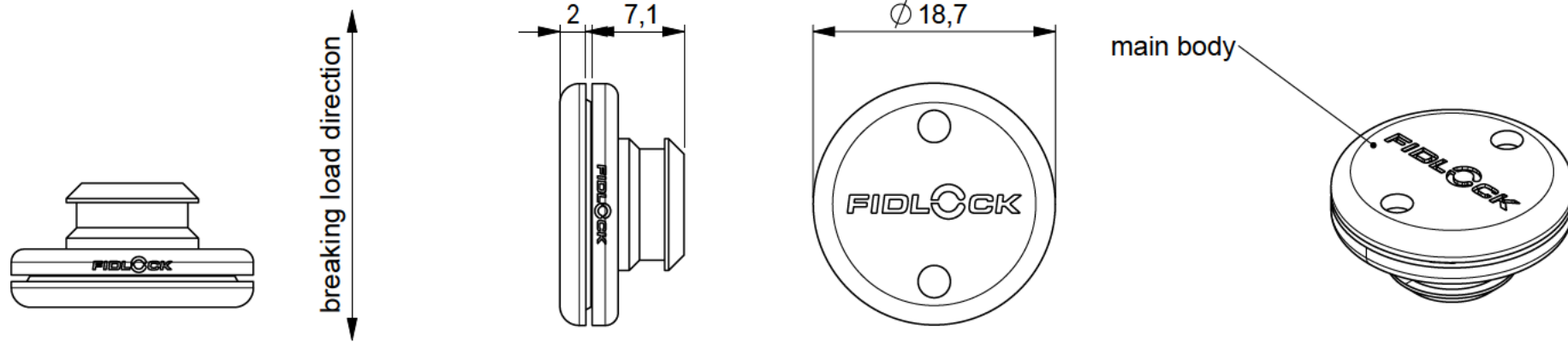


SNAP male S screw low

patented technology



nominal values in millimeters [mm]

OPENING	Defined by female part
MATERIAL	PA66GF (63%), NdFeB (37%)
COLOUR	black (main body)
WEIGHT	~ 2,3 g (weighed)
BREAKING LOAD**	20 N

GENERAL NOTES*

For material thickness: 0,5 - 1,5 mm
 Assembly: screw thread
 Tool for assembly: TOOL 4
 Punching hole diameter for assembly:
 8,0mm

ARTICLE NO.	F5010-000002(BLK)
PRODUCT	SNAP male S screw low
SCALE	2:1 DIN A4
REVISION / DATE	R00 02.12.25

* The manufacturer of the end products in which FIDLOCK fasteners are used, bears the responsibility for thoroughly testing that the FIDLOCK products are suitable for the intended applications.

** According to test specification QM-TP-001

*** The nominal mass fractions percentage of the materials are given as rounded whole numbers. Fractions below 0.5% are not given.