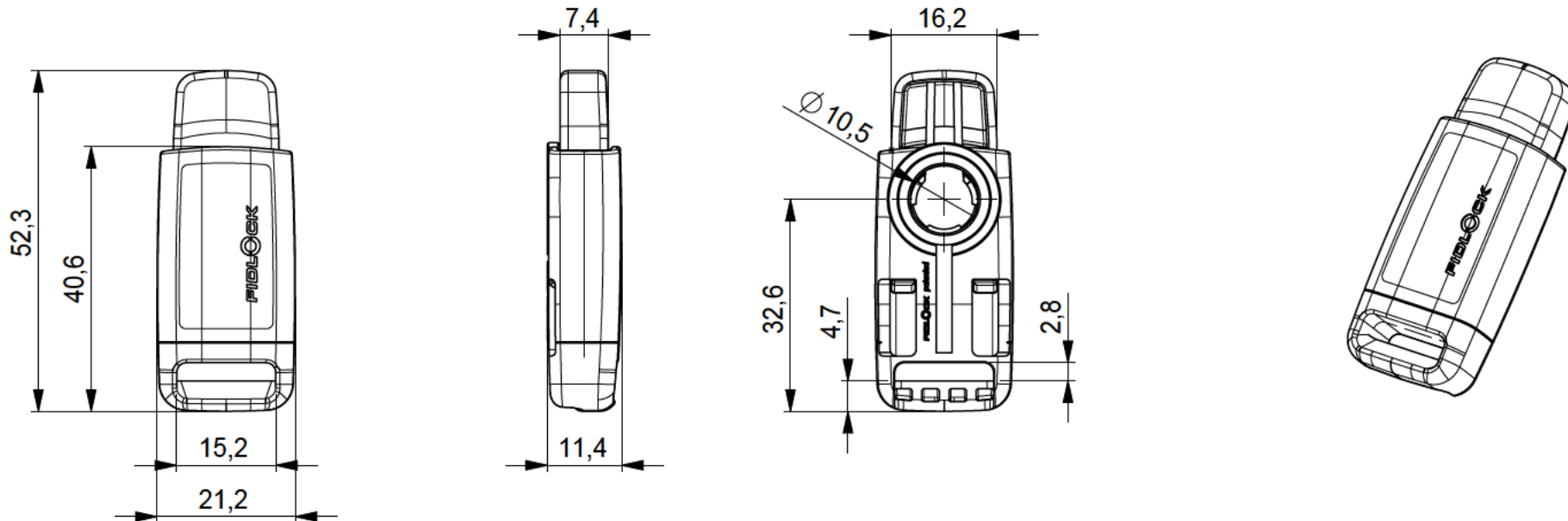


**SNAP push female S 15 SB**

patented technology



nominal values in millimeters [mm]

OPENING	push
MATERIAL***	PA66GF (85,6%), NdFeB (11,7%), spring steel (2%), Epoxy (0,7%)
COLOUR	black
WEIGHT	~ 7g (weighed)
BREAKING LOAD**	44 N

GENERAL NOTES\*

ARTICLE NO.	F5108-000002(BLK)
PRODUCT	SNAP push female S 15 SB
SCALE	1:1 DIN A4
REVISION / DATE	R00 04.09.25

\* The manufacturer of the end products in which FIDLOCK fasteners are used, bears the responsibility for thoroughly testing that the FIDLOCK products are suitable for the intended applications.

\*\* According to test specification QM-TP-001

\*\*\* The nominal mass fractions percentage of the materials are given as rounded whole numbers. Fractions below 0.5% are not given.