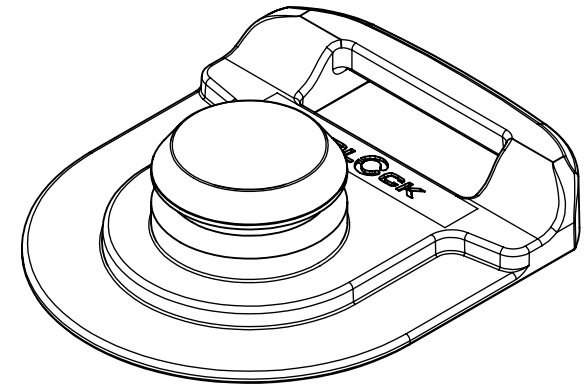


FIDLOCK®



Stiching area

Proceed like stitching zipper
Use a zipper presser foot and stich
lenght 2-3mm (For securing the thread
we recommend choosing a position
next to the Fidlock part. Otherwise
stability could be reduced.)

PRODUCT	SNAP male L sewable SB20
APPLICATION	bags, medical, clothing
OPENING	slide laterally
MATERIAL	PA6
COLOUR	black
COLORABLE	RAL colours
WEIGHT	~ 7 g
LOAD CAPACITY	110kg (male), 100 kg (single bar)
GENERAL NOTES	Material thickness <2,5mm

ARTICLE NO.	F5421-000002(BLK)
SCALE	3:2
DATE	12.10.2021
AUTHOR	Oliver P.

patented technology.