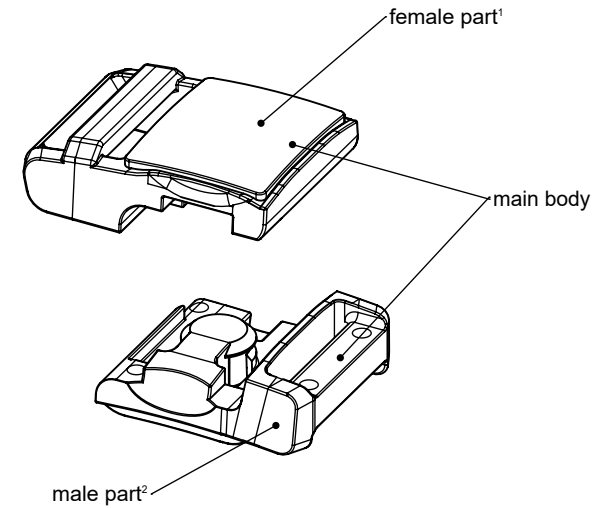
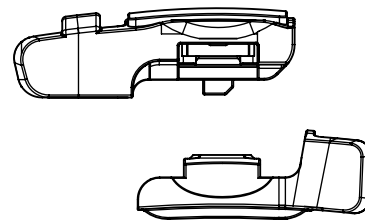
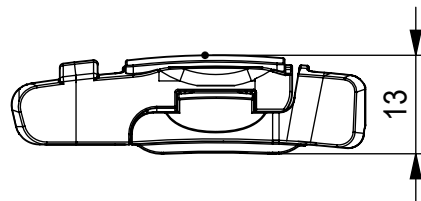


detail webbing connection
scale: 2:1



nominal values in millimeters [mm]

OPENING	slide
MATERIAL	PA6 GF ^{1,2} , NdFeB ^{1,2} , epoxy ^{1,2}
COLOUR	black (BLK), blue (5415) main body
WEIGHT	~ 12,5 g (weighed)
BREAKING LOAD**	495 N **

GENERAL NOTES*

Recycled material:
Not suitable for safety-relevant applications
Not for helmet use!

Coloured options:
Colour may vary, due to raw material.
Minor dark particals may appear, due to raw material.

ARTICLE NO.	F6021-000002(BLK)R F6021-000002(5415)R
PRODUCT	Helmet Buckle 20 RC
SCALE	1:1 DIN A4
REVISION / DATE	R01 26.02.24

* The manufacturer of the end products in which FIDLOCK fasteners are used, bears the responsibility for thoroughly testing that the FIDLOCK products are suitable for the intended applications.

** According to test specification QM-TP-001