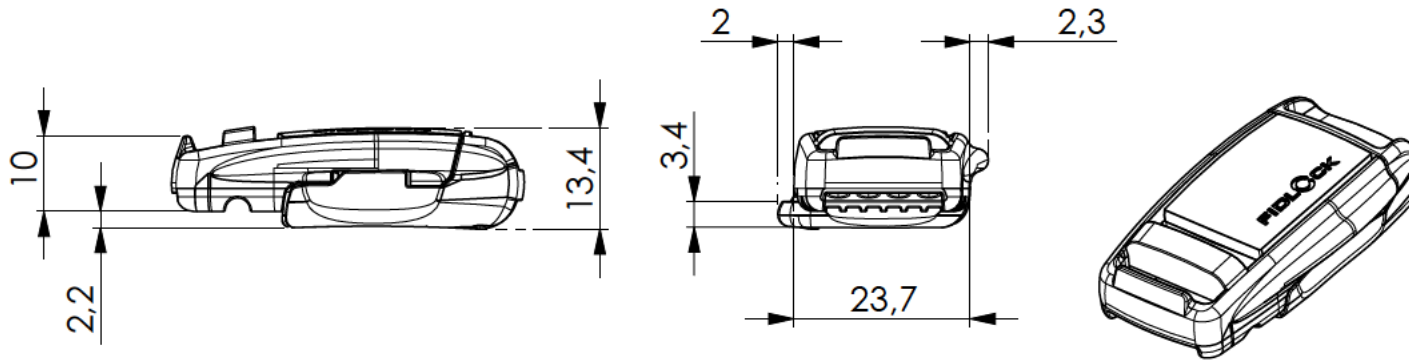


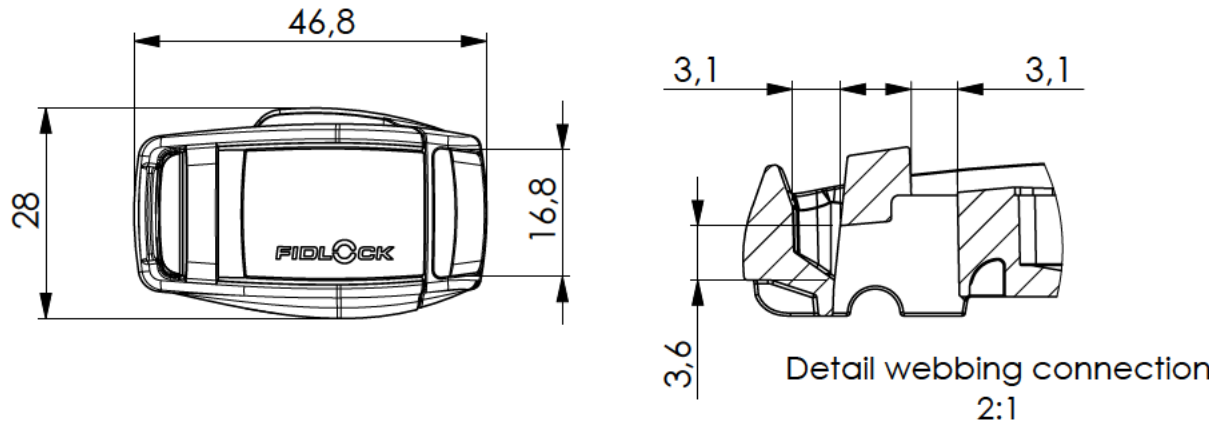
FIDLOCK®



This buckle is only designed for use with the FIDLOCK slip lock!

Safe operation is only guaranteed when the original slip lock is used.

The use of conventional O-rings can compromise the closing function and poses a safety risk.



Product	SNAP helmet buckle15 shaped broad
Opening	lateral slide
Material	PA6-GFCF30 / PP / PA6-GF15 / NdFeB / Epoxy
Colour	black
Weight	11,6 g
Load capacity	65 kg
General notes	Ladder lock for thick single layered strap

Article No	F7032
Scale	1:1
Date	24.03.2022
Author	ML

patented technology.