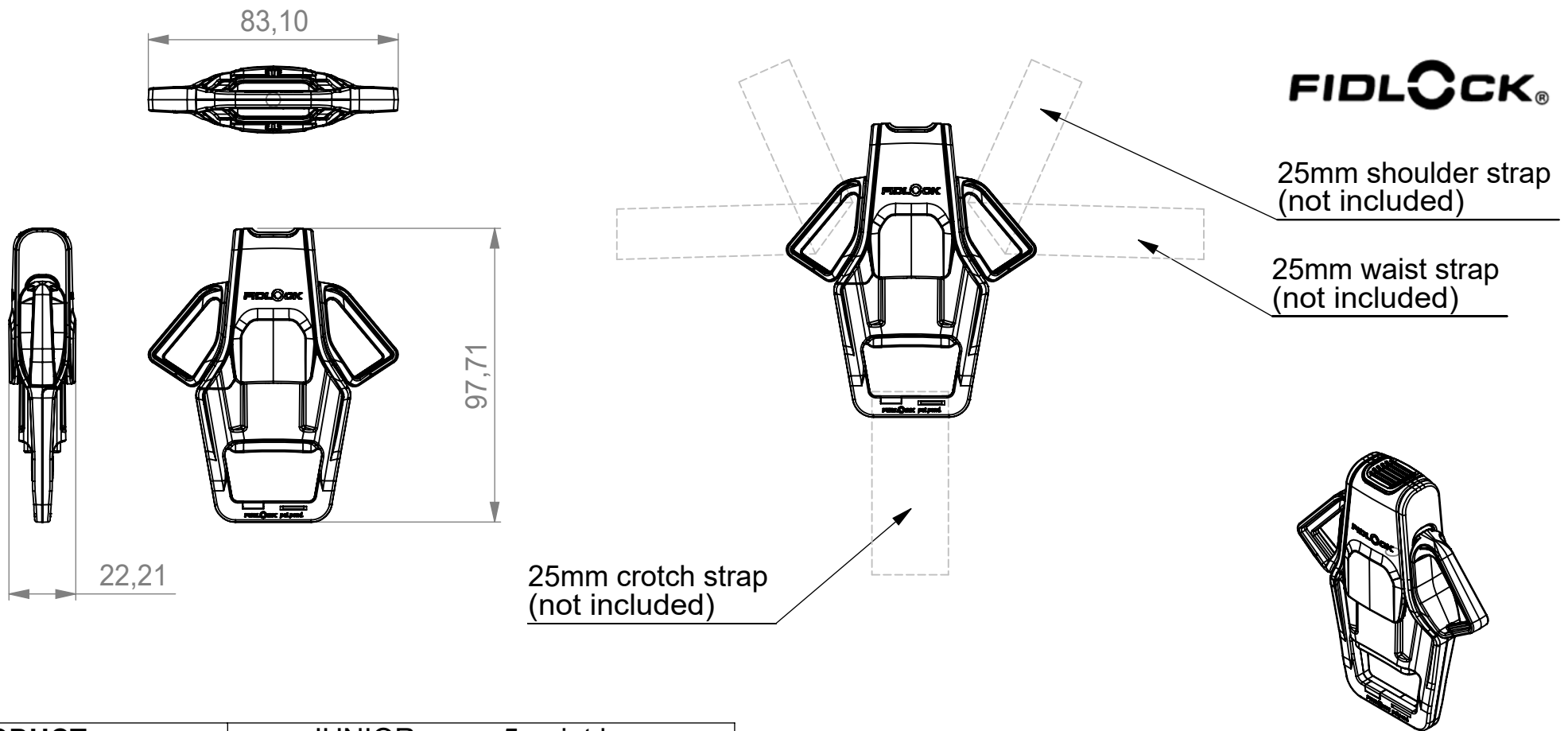


FIDLOCK®



| | |
|----------------------|---|
| PRODUCT | JUNIOR press 5-point loop |
| APPLICATION | strollers, bicycle child seats |
| OPENING | single press |
| MATERIAL | PA66GF30 / PA66GF15 / POM |
| COLOUR | Black / Grey |
| COLORABLE | yes |
| WEIGHT | ~57 g |
| LOAD CAPACITY | 40 kg |
| GENERAL NOTES | <p>Developed for strollers and child-seats with 3-point strap systems, e.g. bicycle seats (suitability depending on the implementation of the fastener on the product).</p> <p>Not for use on child car seats. Use for safety-related applications only after successful suitability testing by the manufacturer.</p> |

| | |
|--------------------|-------------------|
| ARTICLE NO. | F9421-000022(BLK) |
| SCALE | 1:2 |
| DATE | 19.10.2023 |
| AUTHOR | Lasse Hiller |

patented technology.