

- FA-10200-000001(BLK)
- PINCLIP male M connector clip-in
- allows integration of male connector into customer plastic part with FIDLOCK geometry

compatible female parts

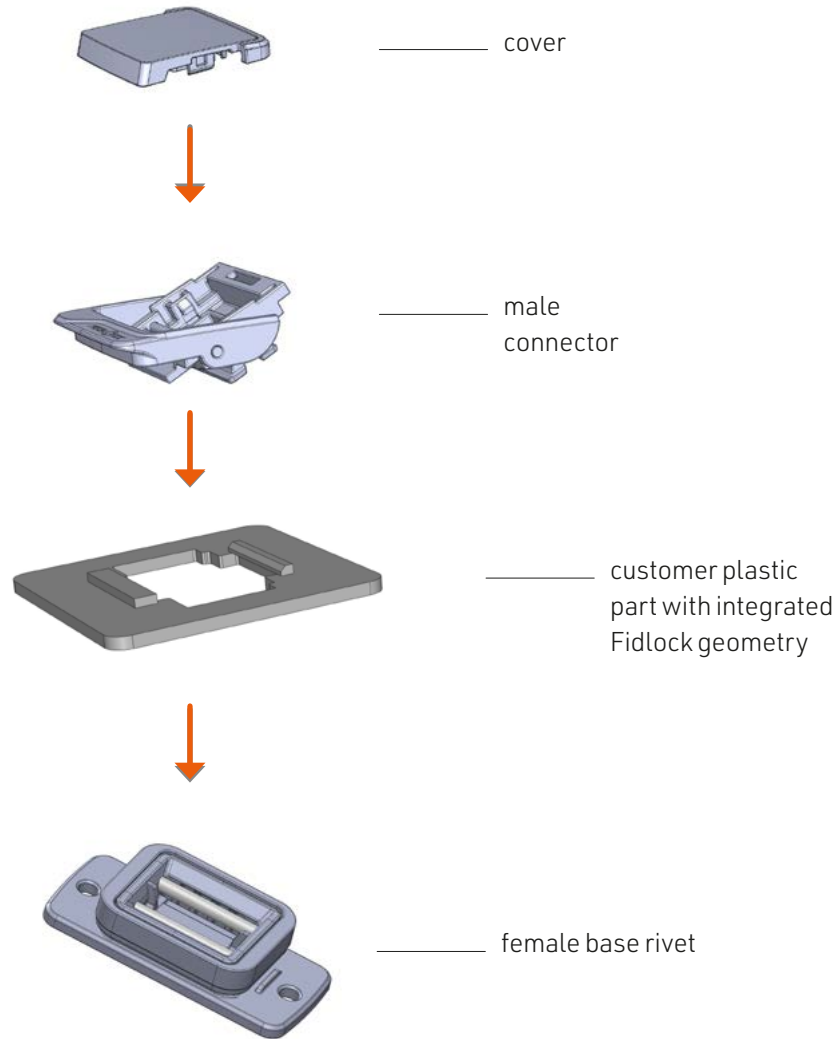
(not included, please order seperately)



- A-10001-000001(BLK)

PINCLIP M integrated

Overview



Pinclip male M connector clip-in

A-10200-000001(BLK)

- Please only assemble once!
- Dissassembly might damage the parts

CAD and drawing will be provided by
Fidlock

Pinclip female M base rivet

A-10001-000001(BLK)

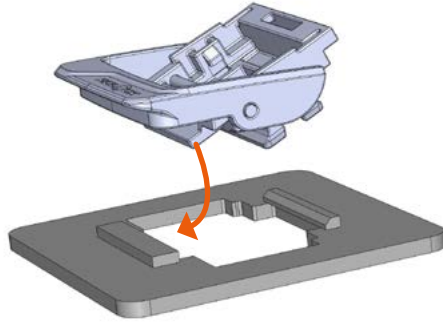
- Attachment by rivets or screws
- Hole diameter 4mm, max head diameter 9mm
- Do not use countersunk head screws!
- Attach to planar surface!
- No screws or rivets included

ASSEMBLY GUIDE

PINCLIP M integrated

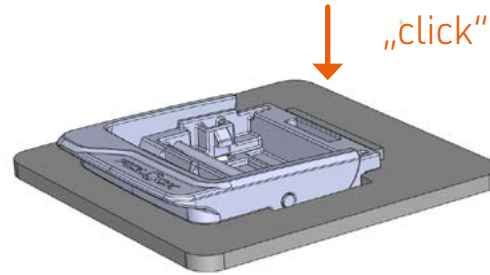
Assembly

1



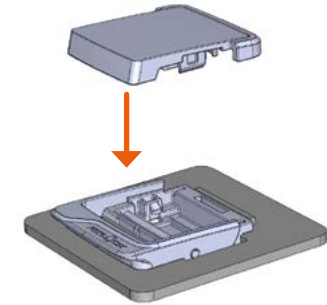
Position male connector into clip-in geometry.

2



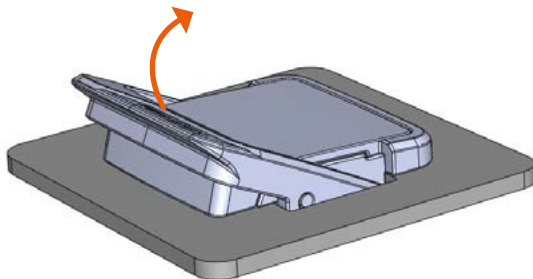
Press down to engage.

3



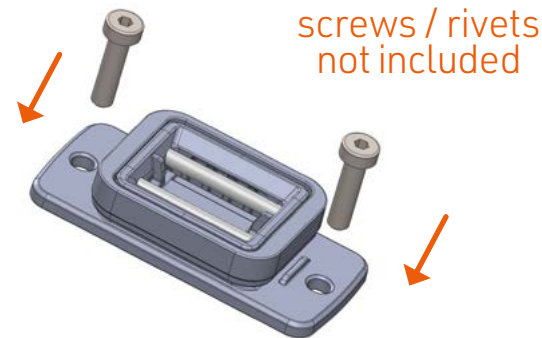
Assemble cover by pressing down.

4



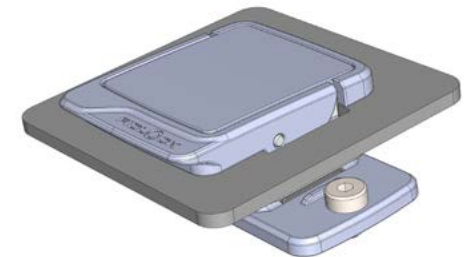
Check fit of cover and free movement of release trigger.

5



Install female base on planar surface using rivets or screws. Hole diameter 4mm. Max head diameter 9mm. Do not use countersunk head screws!

6



Check function.