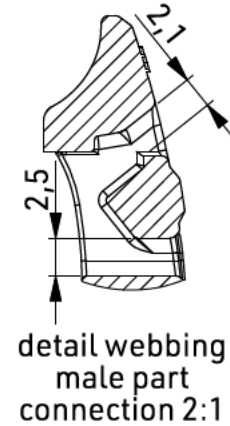
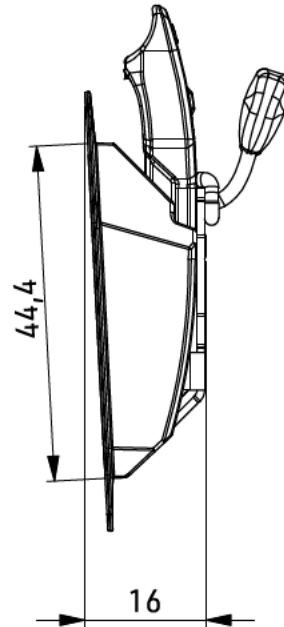
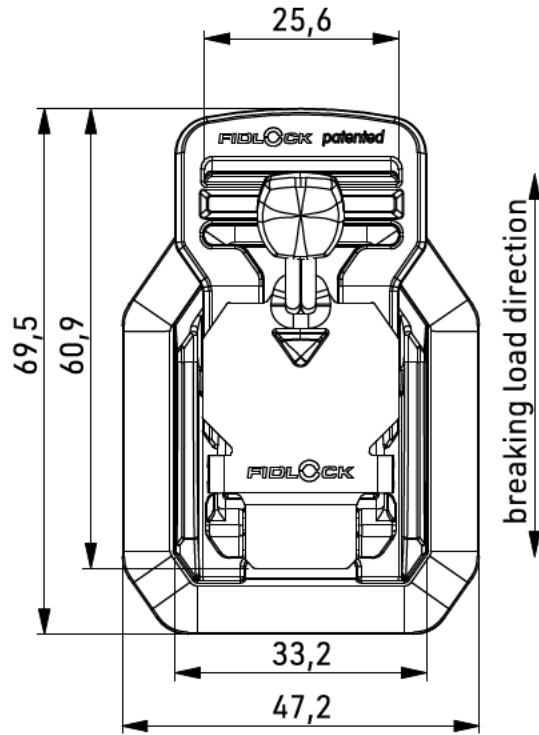
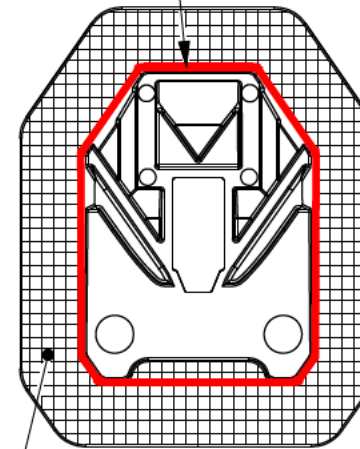


V-BUCKLE 25 LL sewable

patented technology

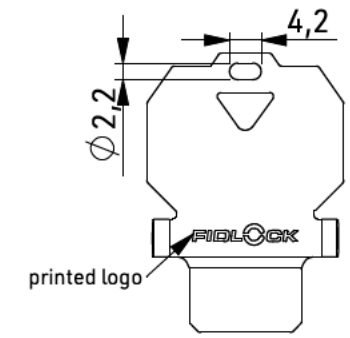
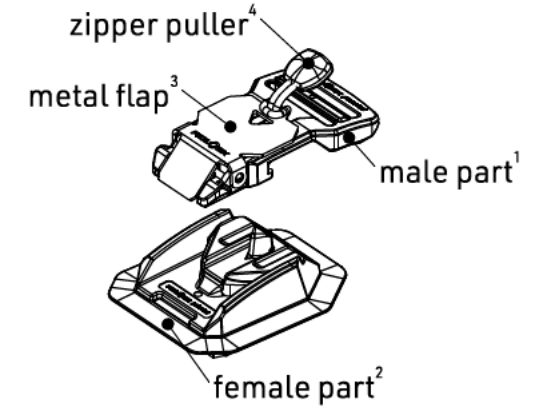


contour for cut out area (underlay)



stitching area

Proceed like stitching zipper.
Use a zipper presser foot and stitch length 2-3 mm. (For securing the thread we recommend choosing a position next to the Fidlock part. Otherwise stability could be reduced.)



nominal values in millimeters [mm]

OPENING	lift
MATERIAL***	PA66GF ¹ (28%), PA6 ¹ (29%), stainless steel ¹ (24%), nylon fabric ¹ , TPU (1%), NdFeB(17%), epoxy(1%)
COLOUR	black ^{1,2} , metal flap according to article description ¹ , black ¹
WEIGHT	~ 26 g (weighed)
BREAKING LOAD**	588 N

GENERAL NOTES*

FV-11203:
flap: stainless steel glossy

FV-11403:
flap: black

ARTICLE NO.	FV-11203-000012(BLK) FV-11403-000012(BLK)
PRODUCT	V-BUCKLE 25, female sewable, male ladderlock + zipper puller
SCALE	1:1 DIN A4
REVISION / DATE	R02 28.04.2026

* The manufacturer of the end products in which FIDLOCK fasteners are used, bears the responsibility for thoroughly testing that the FIDLOCK products are suitable for the intended applications.

** According to test specification QM-TP-001

*** The nominal mass fractions percentage of the materials are given as rounded whole numbers. Fractions below 0.5% are not given.