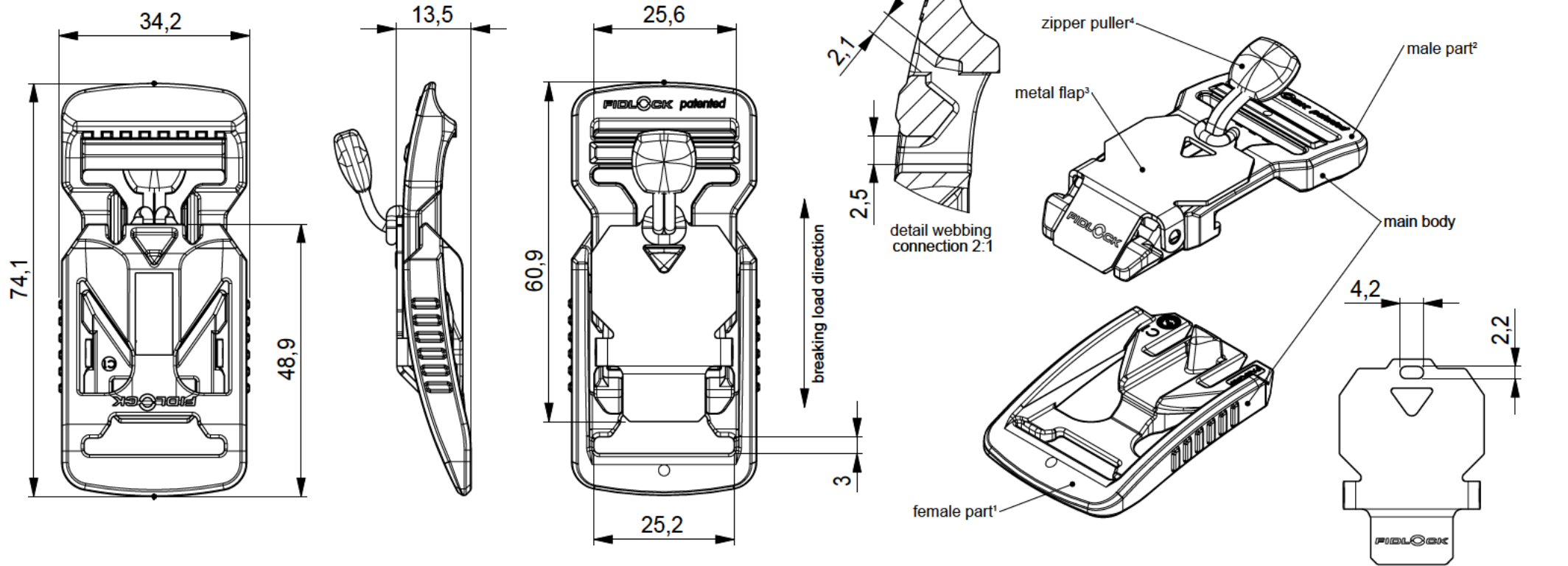


**V-Buckle 25 RC**



nominal values in millimeters [mm]

OPENING	lift
MATERIAL	PA6 GF <sup>1,2</sup> , stainless steel <sup>2</sup> , NdFeB <sup>1,2</sup> , epoxy <sup>1,2</sup> , nylon fabric <sup>4</sup> , TPU <sup>4</sup>
COLOUR	black (BLK), blue (5415) main body
WEIGHT	~ 24 g
BREAKING LOAD**	612 N **

**GENERAL NOTES\***

Recycled material:  
**Not suitable for safety-relevant applications**

Coloured options:  
 Colour may vary, due to raw material.  
 Minor dark particles may appear, due to raw material.

FV-11601-000002(BLK)R:  
 colour: black, flap: black  
 FV-11601-000002(5415)R:  
 colour: blue, flap: sandblasted

ARTICLE NO.	FV-11401-000002(BLK)R FV-11601-000002(5415)R
PRODUCT	V-buckle 25 RC
SCALE	1:1 DIN A4
REVISION / DATE	R03 26.02.2024

\* The manufacturer of the end products in which FIDLOCK fasteners are used, bears the responsibility for thoroughly testing that the FIDLOCK products are suitable for the intended applications.

\*\* According to test specification QM-TP-001