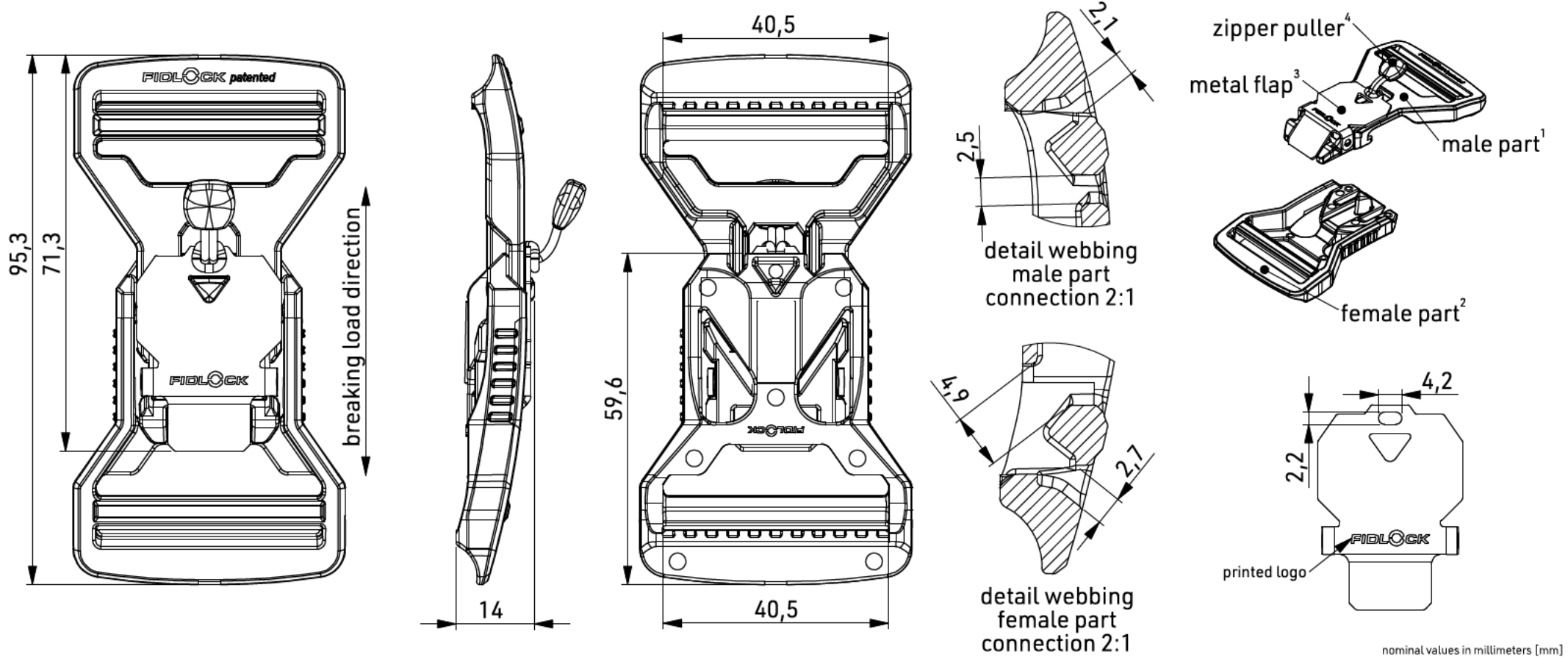


DATASHEET

V-BUCKLE 40 LL



OPENING	lift
MATERIAL***	PA66GF ^{1,2} (63%), stainless steel ¹ (21%), nylon fabric, TPU (1%), NdFeB (14%), epoxy (1%)
COLOUR	black ^{1,2A} , metal flap according to article description ²
WEIGHT	~ 31 g (weighed)
BREAKING LOAD	686 N

GENERAL NOTES*

FV-12207:
flap: stainless steel glossy

FV-12407:
flap: black

ARTICLE NO.

FV-12207-000012 (BLK)
FV-12407-000012 (BLK)

PRODUCT

V-BUCKLE 40, male and female
ladderlock + zipper puller

SCALE

1:1 DIN A4

REVISION / DATE

R02 27.04.2026

* The manufacturer of the end products in which FIDLOCK fasteners are used, bears the responsibility for thoroughly testing that the FIDLOCK products are suitable for the intended applications.

*** The nominal mass fractions percentage of the materials are given as rounded whole numbers. Fractions below 0.5% are not given.