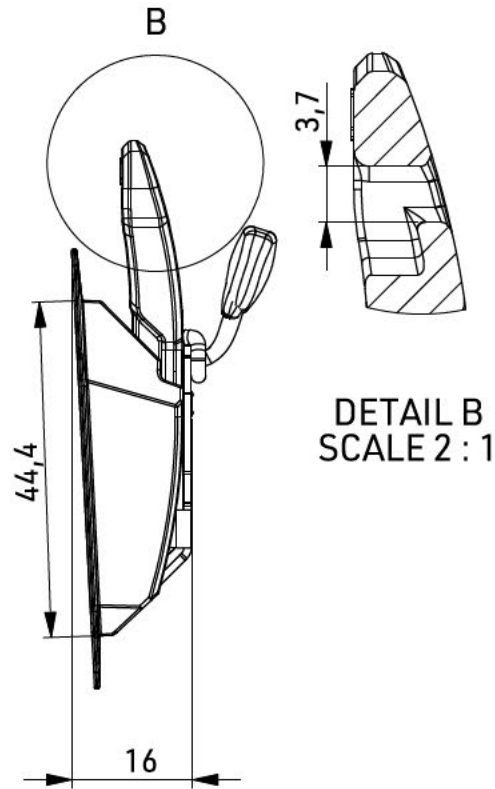
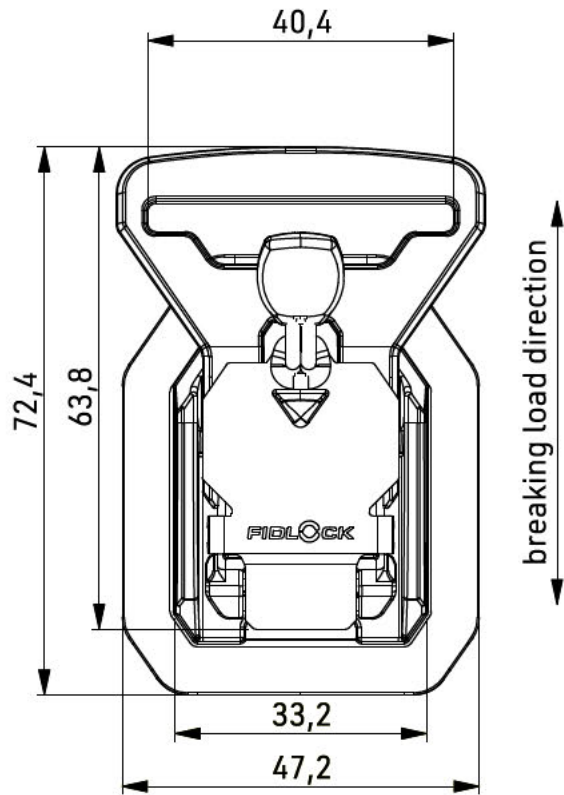
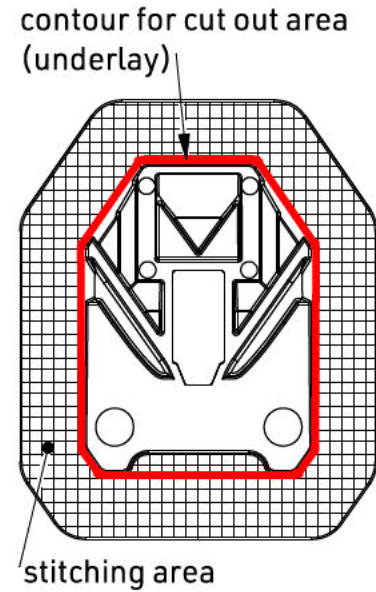


V-BUCKLE 40 SB sewable

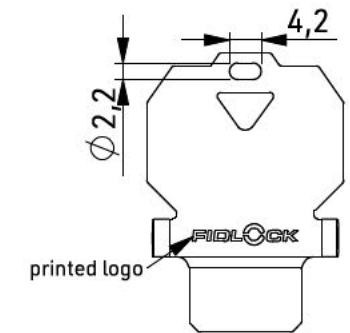
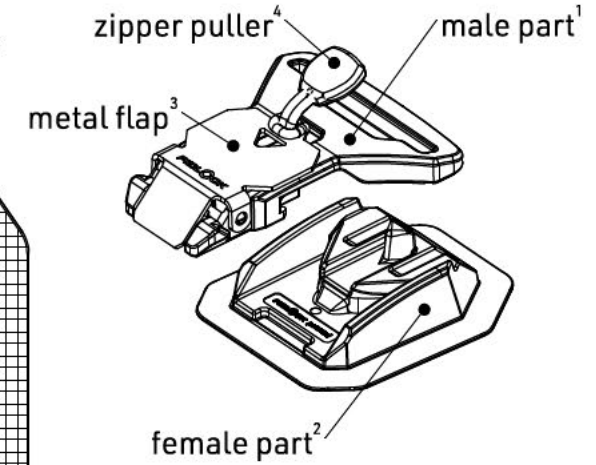
patented technology



DETAIL B
SCALE 2 : 1



Proceed like stitching zipper.
Use a zipper presser foot and stitch length 2-3 mm. (For securing the thread we recommend choosing a position next to the Fidlock part. Otherwise stability could be reduced.)



nominal values in millimeters [mm]

OPENING	lift
MATERIAL***	PA66GF ¹ (29%), PA6 ¹ (29%), stainless steel ¹ (24%), nylon fabric ¹ , TPU (1%), NdFeB (16%), epoxy (1%)
COLOUR	black ² , metal flap according to article description ¹ , black ¹
WEIGHT	~ 26 g (weighed)
BREAKING LOAD	588 N

GENERAL NOTES*

FV-13403:
flap: black

ARTICLE NO.

FV-13403-000012 (BLK)

PRODUCT

V-BUCKLE 40, female sewable, male single bar + zipper puller

SCALE

1:1 DIN A4

REVISION / DATE

R01 28.04.2026

* The manufacturer of the end products in which FIDLOCK fasteners are used, bears the responsibility for thoroughly testing that the FIDLOCK products are suitable for the intended applications.

*** The nominal mass fractions percentage of the materials are given as rounded whole numbers. Fractions below 0.5% are not given.