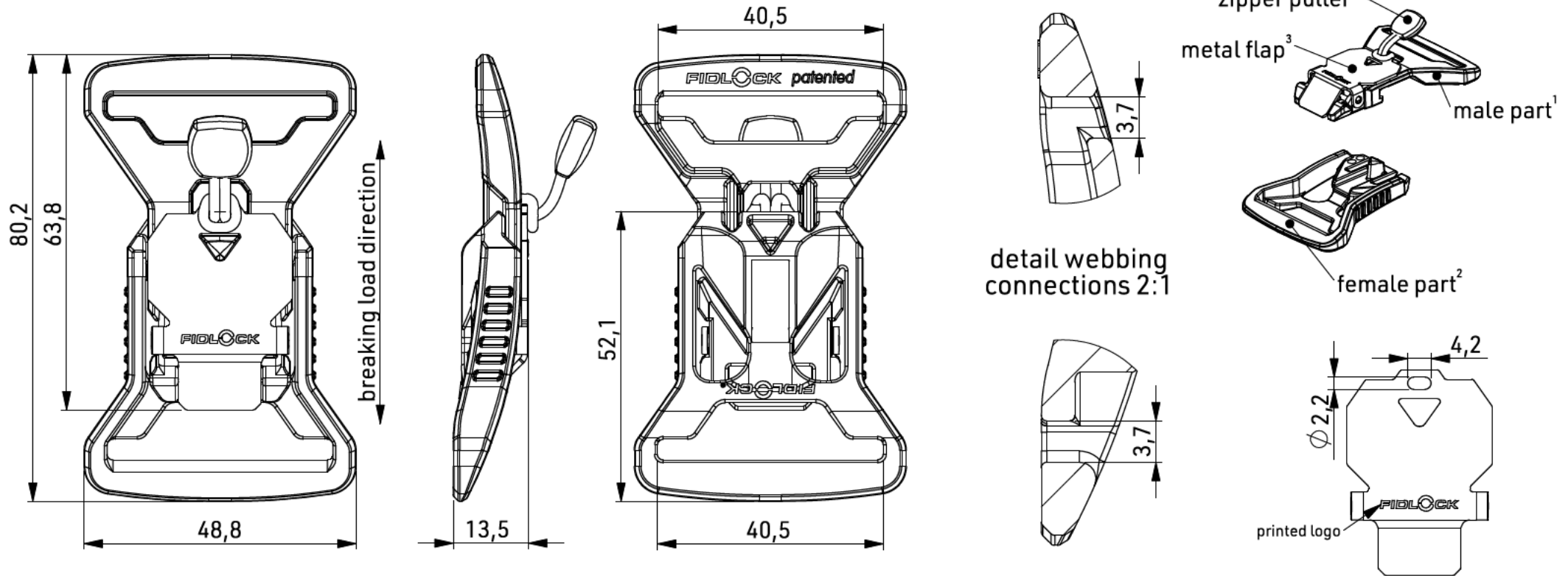


# DATASHEET

## V-BUCKLE 40 SB



nominal values in millimeters [mm]

<b>OPENING</b>	lift
<b>MATERIAL***</b>	PA66GF <sup>1,2</sup> (58%), stainless steel <sup>1</sup> (24%), nylon fabric, TPU (1%), NdFeB (16%), epoxy (1%)
<b>COLOUR</b>	black <sup>1,2,A</sup> , metal flap according to article description <sup>1</sup>
<b>WEIGHT</b>	~ 26 g (weighed)
<b>BREAKING LOAD</b>	686 N

**GENERAL NOTES\***

FV-13208:  
flap: stainless steel glossy

FV-13408  
flap: black

**ARTICLE NO.**

**PRODUCT**

**SCALE**

**REVISION / DATE**

FV-13208-000012 (BLK)  
FV-13408-000012 (BLK)

V-BUCKLE 40, male and female  
single bar + zipper puller

1:1 DIN A4

R02 27.04.2026

\* The manufacturer of the end products in which FIDLOCK fasteners are used, bears the responsibility for thoroughly testing that the FIDLOCK products are suitable for the intended applications.

\*\*\* The nominal mass fractions percentage of the materials are given as rounded whole numbers. Fractions below 0.5% are not given.