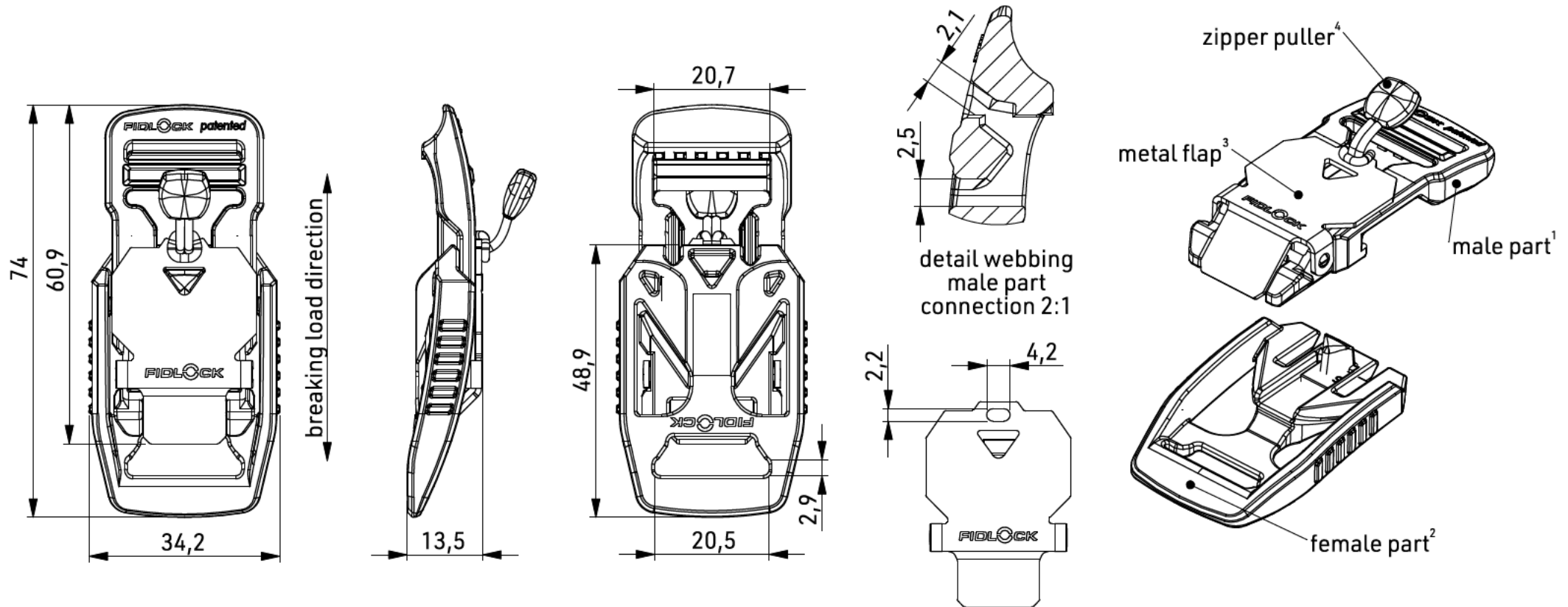


DATASHEET

V-BUCKLE 20



nominal values in millimeters [mm]

OPENING	lift
MATERIAL***	PA66GF ^{1,2} (54%), stainless steel ¹ (26%), nylon fabric, TPU ⁴ (1%), NdFeB (18%), epoxy (1%)
COLOUR	black ^{1,2} , metal flap according to article description ¹ , black ⁴
WEIGHT	~ 24,5 g (weighed)
BREAKING LOAD	686 N

GENERAL NOTES*

FV-14210:
flap: stainless steel glossy

FV-14410:
flap: black

ARTICLE NO.

PRODUCT

SCALE

REVISION / DATE

FV-14210-000012(BLK),
FV-14410-000012(BLK)

V-BUCKLE 20, female single bar,
male ladderlock + zipper puller

1:1 DIN A4

R02 21.04.2026

* The manufacturer of the end products in which FIDLOCK fasteners are used, bears the responsibility for thoroughly testing that the FIDLOCK products are suitable for the intended applications.

*** The nominal mass fractions percentage of the materials are given as rounded whole numbers. Fractions below 0.5% are not given.