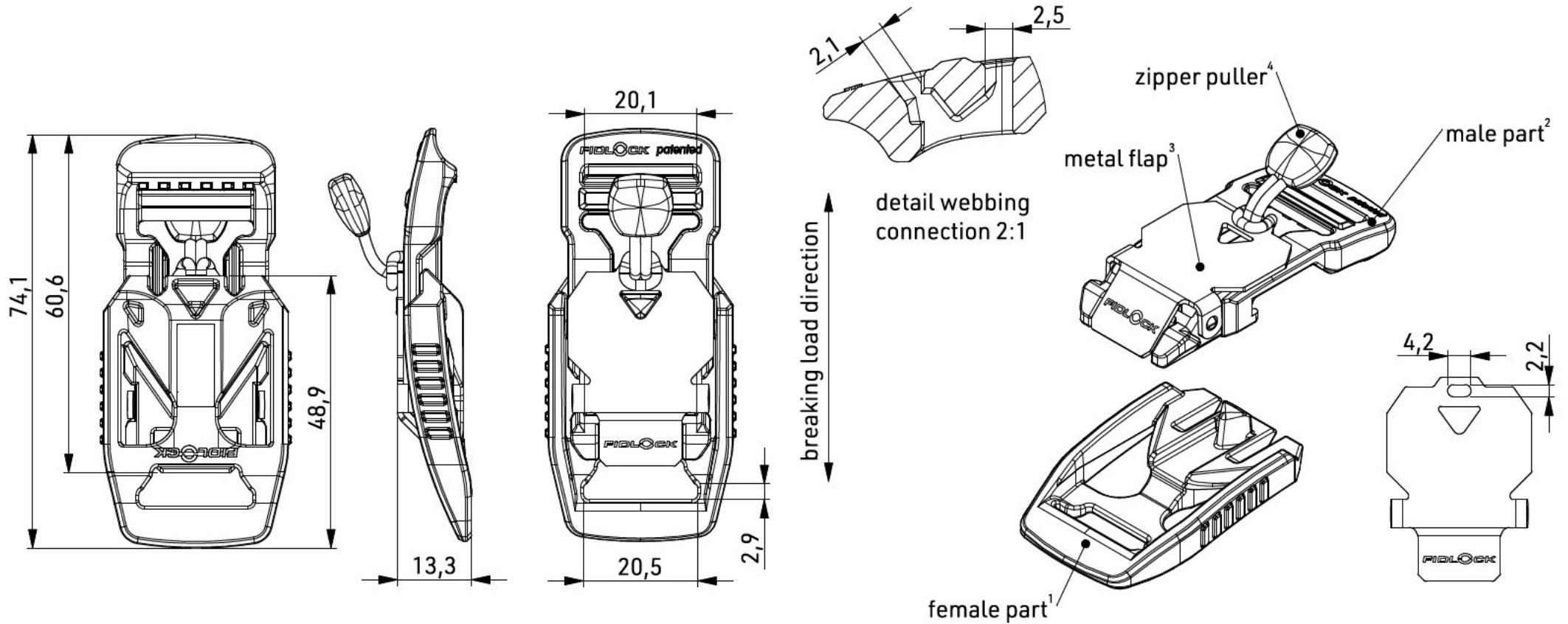


V-BUCKLE 20 glow in the dark

patented technology



nominal values in millimeters [mm]

OPENING	lift
MATERIAL	PA12 + GID ***additive ^{1,2} , stainless steel ³ , nylon fabric ⁴ , TPU ⁴ , epoxy
COLOUR	semi transparent ^{1,2} , black ³ , black ⁴
WEIGHT	21 g (weighed)
BREAKING LOAD**	491 N

GENERAL NOTES*

ARTICLE NO.	FV-14410-000002(GITD)
PRODUCT	V-BUCKLE 20 glow in the dark
SCALE	1:1 DIN A4
REVISION / DATE	R00 24.07.23

* The manufacturer of the end products in which FIDLOCK fasteners are used, bears the responsibility for thoroughly testing that the FIDLOCK products are suitable for the intended applications.

** According to test specification QM-TP-001

***GID: Glow in dark

Subject to change without notice, errors excepted