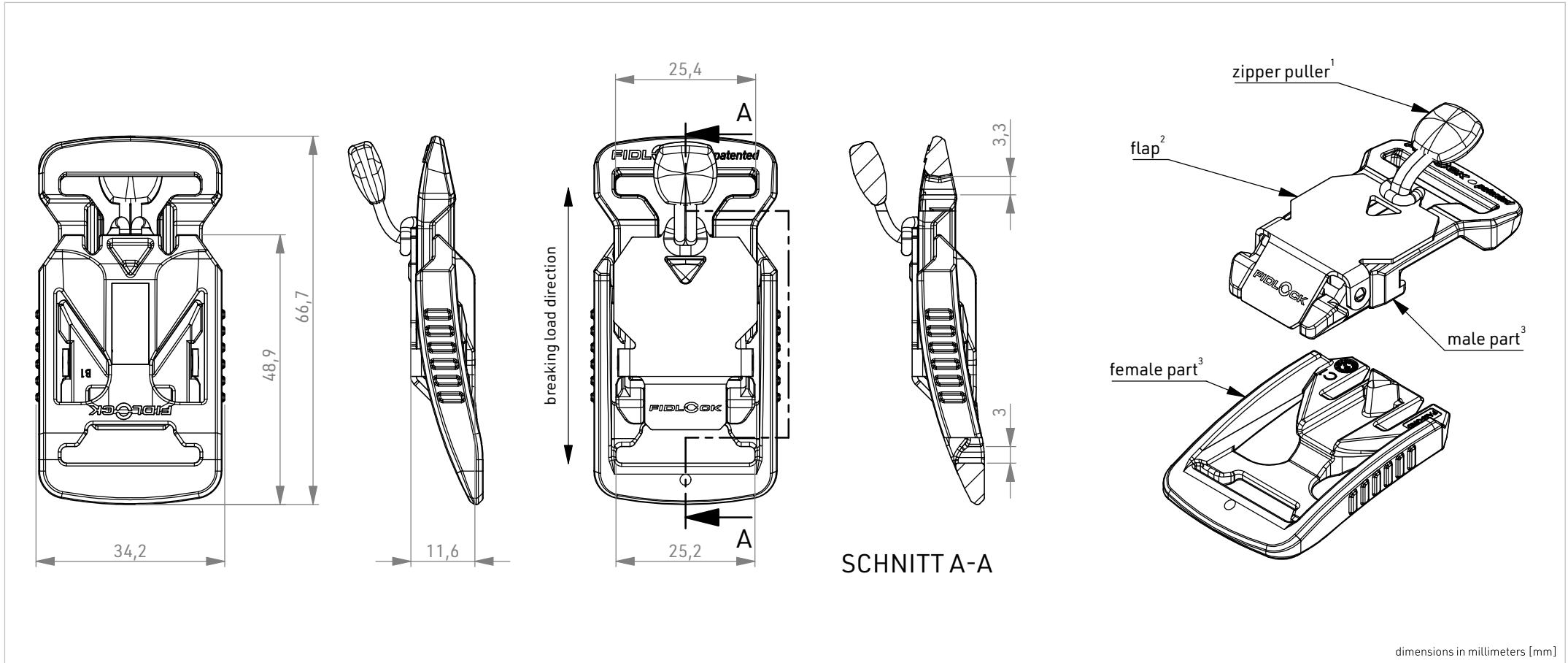


DATASHEET

V-BUCKLE



OPENING	lifting
MATERIAL	¹ Nylon + TPU, ² Stainless Steel, ³ PA66GF, NdFeB, Epoxy
COLOUR	³ black main body, ¹ black zipper puller ² flap according to article description
WEIGHT	~23 g (weighed)
BREAKING LOAD**	686 N

GENERAL NOTES*

- FV-15201-000002 (BLK)
Male and female part single bar, glossy flap
- FV-15401-000002 (BLK)
Male and female part single bar, black flap
- FV-15601-000002 (BLK)
Male and female part single bar, sandblasted flap
- FV-15801-000002 (BLK)
Male and female part single bar, rough grinded flap

ARTICLE NO.

FV-15201-000002 (BLK)

PRODUCT

V-Buckle 25 Male single bar and Female single bar

SCALE

1:1 DIN A4

REVISION / DATE

R00

20.04.23