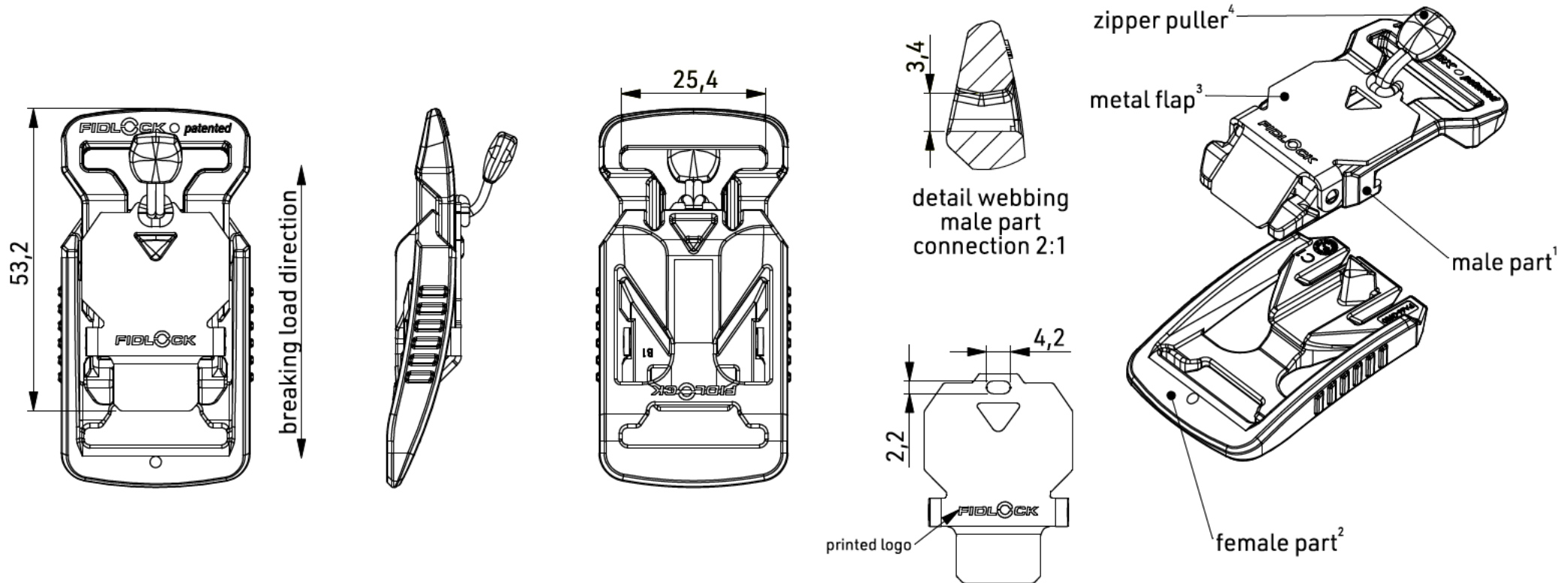


DATASHEET

V-BUCKLE 25 SB



nominal values in millimeters [mm]

OPENING	lift
MATERIAL***	PA66GF ^{1,2} (52%), stainless steel ¹ (27%), nylon fabric ² , TPU ¹ (1%), NdFeB (19%), epoxy (1%)
COLOUR	black ^{1,2A}
WEIGHT	~ 23 g (weighed)
BREAKING LOAD	686 N

GENERAL NOTES* FV-15401:
flap: black

ARTICLE NO.	FV-15401-000012(BLK)
PRODUCT	V-BUCKLE 25, male single bar, female single bar + zipper puller
SCALE	1:1 DIN A4
REVISION / DATE	R01 21.04.2026

* The manufacturer of the end products in which FIDLOCK fasteners are used, bears the responsibility for thoroughly testing that the FIDLOCK products are suitable for the intended applications.

*** The nominal mass fractions percentage of the materials are given as rounded whole numbers. Fractions below 0.5% are not given.