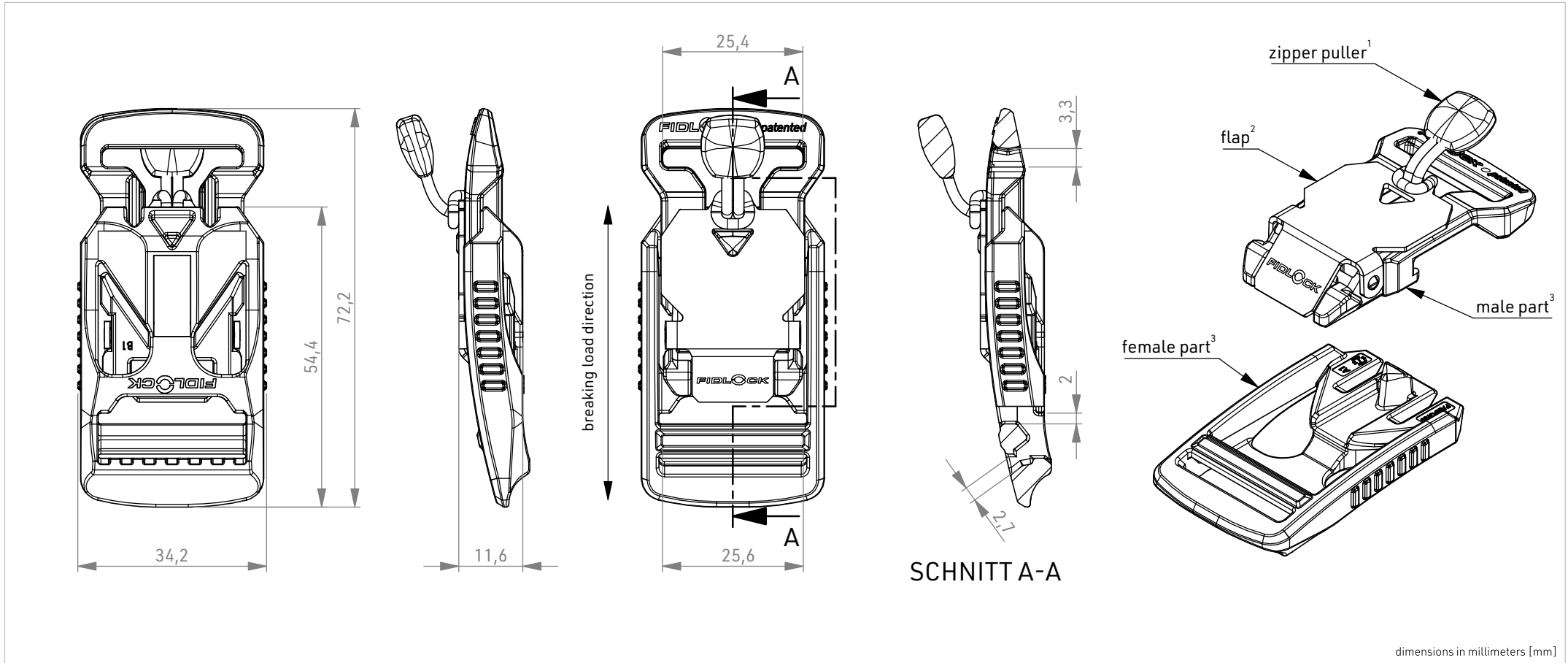


DATASHEET

V-BUCKLE



OPENING	lifting
MATERIAL	¹ Nylon + TPU, ² Stainless Steel, ³ PA66GF, NdFeB, Epoxy
COLOUR	³ black main body, ² black zipper puller, ² flap according to article description
WEIGHT	~ 24 g (weighed)
BREAKING LOAD**	686 N

GENERAL NOTES*

- FV-15213-000002 (BLK)
Male single bar Female ladderlock, glossy flap
- FV-15413-000002 (BLK)
Male single bar Female ladderlock, black flap
- FV-15613-000002 (BLK)
Male single bar Female ladderlock, sandblasted flap
- FV-15813-000002 (BLK)
Male single bar Female ladderlock, rough grinded flap

ARTICLE NO.	FV-15213-000002 (BLK)
PRODUCT	V-Buckle 25 Male single bar Female ladderlock
SCALE	1:1 DIN A4
REVISION / DATE	R00 21.04.23