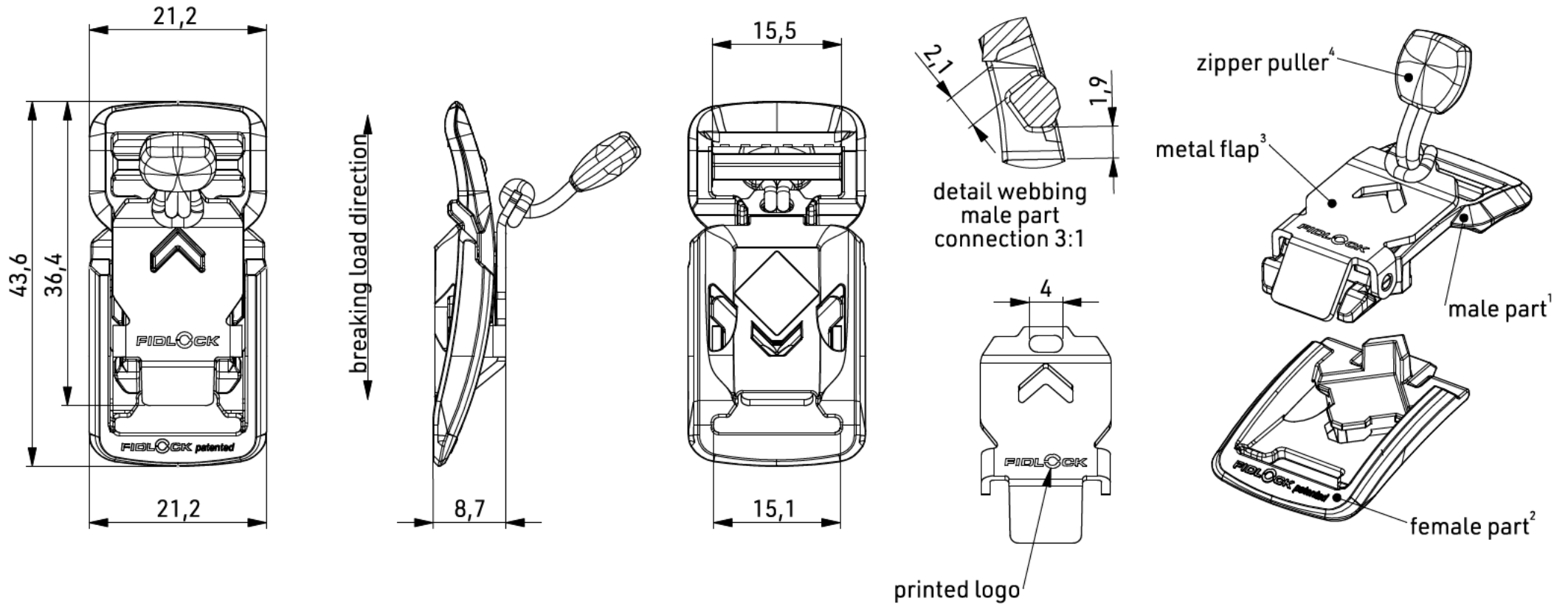


# DATASHEET

## V-BUCKLE S15 LL



nominal values in millimeters [mm]

<b>OPENING</b>	lift
<b>MATERIAL</b>	PA66GF <sup>3</sup> (41%), stainless steel <sup>1</sup> (35%), nylon fabric <sup>1</sup> (1%), TPU <sup>1</sup> (3%), NdFeB (19%), epoxy (1%)
<b>COLOUR</b>	black <sup>1,2</sup> , metal flap according to article description <sup>3</sup> , black
<b>WEIGHT</b>	~ 7,8 g (weighed)
<b>BREAKING LOAD**</b>	215 N

### GENERAL NOTES\*

FV-28211:  
flap: stainless steel glossy

FV-28411:  
flap: black

### ARTICLE NO.

FV-28211-000012 (BLK)  
FV-28411-000012 (BLK)

### PRODUCT

V-BUCKLE S 15, male ladder lock,  
female single bar + zipper puller

### SCALE

1,5:1 DIN A4

### REVISION / DATE

R00 13.03.2026

\* The manufacturer of the end products in which FIDLOCK fasteners are used, bears the responsibility for thoroughly testing that the FIDLOCK products are suitable for the intended applications.

\*\* According to test specification QM-TP-001

\*\*\* The nominal mass fractions percentage of the materials are given as rounded whole numbers. Fractions below 0.5% are not given.